

# Intelligent lighting control for hazardous areas

Safe. Reliable. Efficient.

3,000 to 7,000 lumens



**EATON**

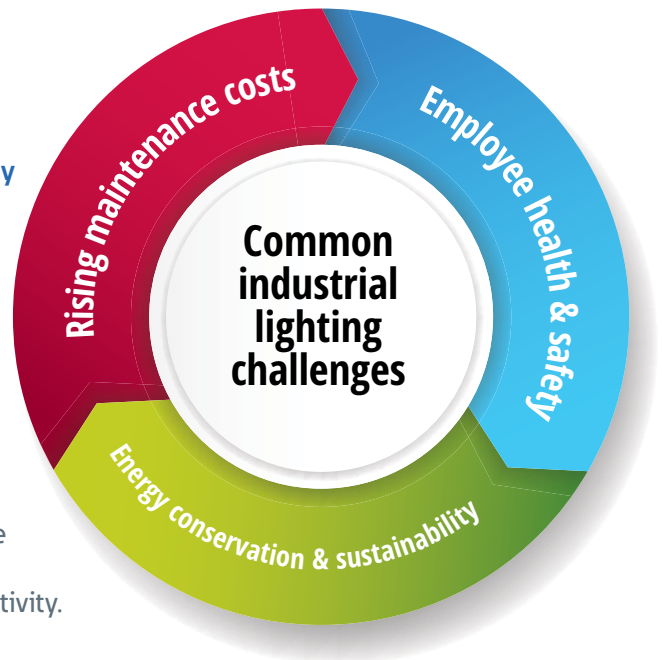
*Powering Business Worldwide*

# Intelligent lighting control and insights

For hazardous, harsh and hard-to-access areas

Reliable lighting is a critical aspect of **industrial workplace safety and performance**. Poor or inadequate lighting is a leading factor in workplace accidents and injuries, and the risk goes up exponentially in classified environments. Lighting systems must provide high visibility while minimizing shadows and glare to help create a safe and productive work environment for your employees.

In addition to safety challenges, lighting systems in harsh and hazardous applications face **rising energy and maintenance costs** due to the over-usage of lights. Running lights more than necessary, often due to a lack of effective control, shortens the life of the fixtures and drives up material and labor costs. Slowing or stopping production to replace failed lighting impacts your productivity.



## Champ Intelligent Lighting overcomes these challenges



Crouse-Hinds™ series Champ™ Intelligent Lighting fixtures are renowned for their reliability and safety in harsh and hazardous lighting applications. Now available with intelligent control and insight capabilities, they deliver more operational value and better total cost of ownership.

An intuitive app-based interface provides full lighting control at your fingertips—improving safety, maximizing energy savings and minimizing maintenance costs.



Control & insights - Right from your phone!



Bluetooth low energy (BLE)



Fixture designed for performance and protection in hazardous areas



Group of lights with a shared intelligent profile to optimize lighting system based on space and usage requirements

# The benefits of Champ Intelligent Lighting



**Note:** Fixture shown without sensor.



Maintain up-time and minimize maintenance costs

## Operate your lighting WHEN and WHERE you need it

Running lights more than necessary shortens the life of the fixtures and drives up material and labor costs. With Champ Intelligent Lighting control and insights, you can optimize your system to help eliminate over-usage and double the life of your lighting fixtures.

Maximize energy savings and sustainability

## Provide the right amount of light at the right time

Full lighting control is at your fingertips with a range of intelligent features, including grouping, scheduling, dimming, occupancy sensing, high end trim and daylight harvesting. With an intuitive app, you can easily tune your light output based on space and specific usage requirements. Optimizing your lighting system through intelligent control can help reduce your energy consumption by up to 50%.

Improve safety and alarming

## Help minimize personnel time spent in hazardous areas

Champ Intelligent Lighting fixtures monitor ambient light, temperature, motion, energy consumption and overall fixture health. Any irregularities in these factors generate feedback alarms to your team, so you can take planned, proactive action and help maintain a safe work environment.

Bluetooth Low Energy (BLE) technology

## Intuitive commissioning and control provide effortless management of your lighting system

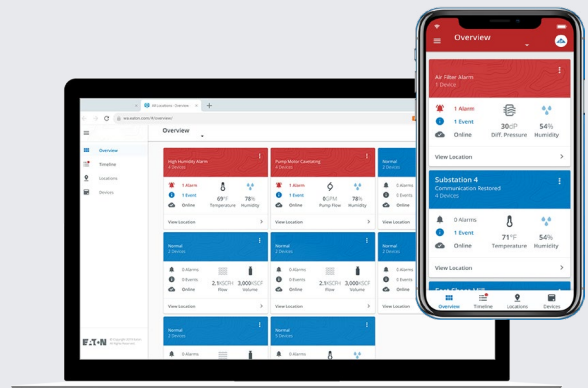
Unlike other "connected" lighting solutions that use complex hardware and software, Champ Intelligent Lighting fixtures feature a robust, easy-to-use interface.

- Designed to simplify light fixture control
- App-based configuration for effortless customization
- Creates a connected infrastructure for future scalability

## Powered by Brightlayer

Champ Intelligent Lighting utilizes Eaton's Brightlayer Industrial suite, an industry-focused software solution that provides data and insights to drive real operational value for your facility, process or asset. With Brightlayer, you can use data from your operation, including installed equipment, to bring new opportunities into focus.

Software, data and services coupled with our industry expertise help give you the ability to leverage reliable, secure and actionable data to power your operation smarter.



Learn more about Brightlayer  
Scan QR code or go to:  
[Eaton.com/Brightlayer](https://Eaton.com/Brightlayer)

# System control functionality



## Live fixture ID

Our intuitive app-based dashboard enables quick and easy identification of individual lights installed in the field. Simply select "live id" for a specific fixture and it will cycle on and off three times.



## Device grouping <sup>A</sup>

An added benefit that maximizes control in a defined area. By grouping light fixtures, the same control settings can be applied to them all, increasing efficiency and response time.



## Wireless ON/OFF and dimming

Turn lights on and off directly from the app. Reduce energy consumption by setting dimming levels or high end trim. Used in conjunction with other control features, such as scheduling and occupancy sensing, to further improve energy savings.



## Intelligent scheduling <sup>A</sup>

Allows for improving energy efficiency during non-operational hours. Easy app-based configuration lets a user set up schedules for lights to be on and off at pre-defined times, removing the challenges of manual management.



## Occupancy sensing <sup>A</sup>

Ideal for areas that see infrequent traffic, such as storage areas of warehouses. Sensor controls can automatically illuminate the area once presence is sensed and turn lights back off when presence is no longer sensed.



## Daylight harvesting <sup>A</sup>

Allows for use of the daylight and adjusts the light level of the luminaire to maintain desired light levels. It is best suited for outdoor environments or indoor areas where daylight is present during operational hours of a facility.

<sup>A</sup> Requires advanced service plan subscription. Refer to page 5 for more information.

Provide the **RIGHT** amount of light, **WHEN** and **WHERE** you need it

With our intuitive app-based interface, you can utilize combinations of the above control functions across your facility to optimize light levels by site, while minimizing run time to lower your energy and maintenance costs.



### Site 1: Low traffic, remote or restricted areas

- Keep lights off or dimmed to a safe minimum
- Utilize occupancy sensing to immediately bring grouped lights to a working level when triggered by movement
- Return lights to OFF or dimmed setting after a set period of inactivity

### Site 2: High traffic area with heavy employee activity, typically during shifts

- Schedule lights to be OFF during non-operational hours and turn on when work starts
- Utilize daylight harvesting where applicable for system-driven changes of fixture light output to maintain consistent lumen levels throughout the day

# Champ LED + Brightlayer

## Unlock intelligent lighting control and insights that maximize safety, productivity and savings with Brightlayer Industrial software

The Brightlayer service plan provide flexible solutions for your specific lighting applications.

The advanced subscription plan provides customized lighting control with a wide range of intelligent features. Create lighting groups and set light levels that can be managed by schedule, available daylight and occupancy. This ensures that the safest light levels are maintained while minimizing energy consumption and eliminating the over-usage of lights.

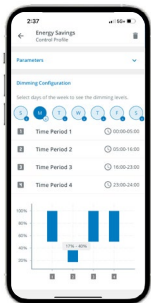
In addition to customized lighting control, our advanced plan provides you with each fixture's estimated remaining usable life. Use this data to schedule planned maintenance events to avoid possible safety issues from failed lights and to minimize personnel time spent in the hazardous areas.

The hardware only plan provides a standard fixture without controls. The fixture has the ability to be lighting control capable at a later date by adding the subscription plan.

## How it works— designed for simplicity

1. Identify the light (Live ID)
2. Commission the light
3. Add light to a group
4. Set up group's intelligent control profile

All from your mobile device—no gateways or servers required



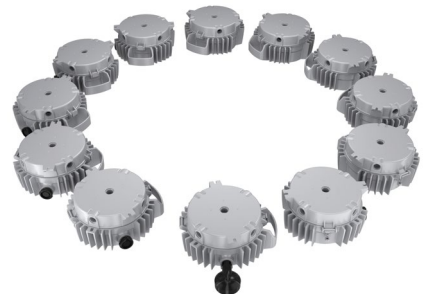
Brightlayer Industrial suite app



Bluetooth Low Energy (BLE) technology



Champ Intelligent Lighting fixture



Group of lights with a shared intelligent lighting profile

### SERVICE PLANS

Hardware Only    **ADVANCED**

### SUPPORT

Pre-sale product training and lighting layout support	●	●
Post-sales technical support	●	●
Warranty	7 YEARS	10 YEARS

### LIGHTING CONTROL FUNCTIONALITY

Wireless on/off/dimming		●
Live fixture ID		●
Fixture grouping		●
Advanced scheduling		●
Occupancy sensing		●
Daylight harvesting		●

### LIVE INSIGHTS AND DATA

Remaining usable life		●
-----------------------	--	---

### OPERATION AND HARDWARE

iOS-based control/commissioning		●
Multiple fixtures/sites/groups/users support		●

# Design features

## The anatomy of a Champ Intelligent Lighting fixture

The Champ Intelligent Lighting fixture is a field-proven design that helps ensure safety, reliability and performance in harsh and hazardous areas. Now, it's combined with intelligent control and insight capabilities to deliver more operational value and better total cost of ownership.

### INTELLIGENT CONTROL AND INSIGHTS

#### A Smart driver and controller

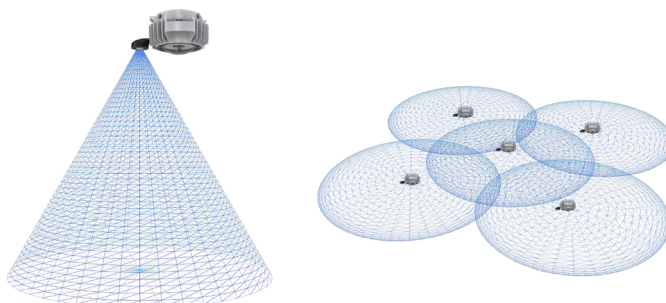
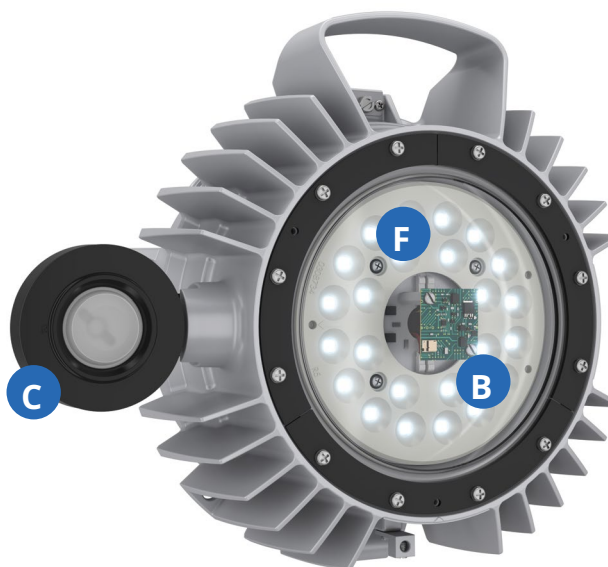
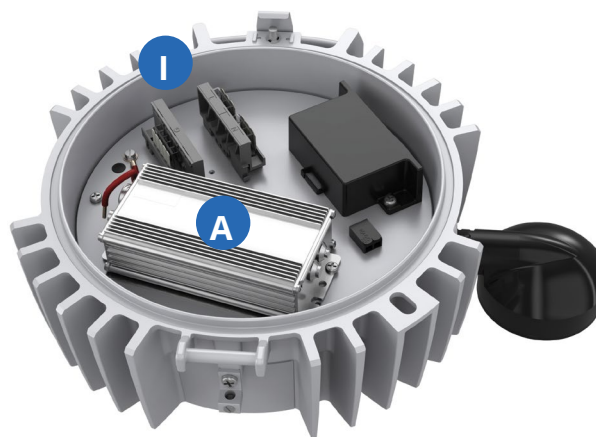
- Fully serviceable drivers are isolated from the primary heat source (LED engine) to maximize economic life
- User-selected option for thermal-rollback enables driver and LED protection during extreme temperature events
- 90-minute on-board back-up memory maintains system clock and control profiles in event of power disruption
- Controller manages dimming, scheduling and grouping functionality, as well as notifications and alarming
- Every VMVL intelligent light fixture features connectivity capability

#### B Integrated antenna

- Attached to the optics board inside the lens, maintaining the fixture's hazardous ratings
- Enables effortless connection to our Brightlayer Industrial lighting control interface. No complex hardware required to commission and control the lights
- Bluetooth Low Energy (BLE) protocol enables decentralized control of the system without complex and expensive IT network gear
- Up to 30 foot range fixture-to-fixture
- Backed by Eaton's Cybersecurity Center of Excellence, which enforces security through training, technology, best practices and industry standards

#### C Intelligent multi-sensor

- Replaceable sensor can be factory installed at purchase, or field installed at a later date
- Sensor is integral to light fixture—no field wiring required
- PIR occupancy sensor with LED indicator
  - Automatically illuminates the area once presence is detected
  - Light turns back off when presence is no longer sensed for a set period of time
- Photo sensor for daylight harvesting and lux reporting
  - Measures available daylight and adjusts the light level of the luminaire to maintain desired light levels



## LONG-LIFE RELIABILITY

### D Thermal management

- Heat fins help ensure proper air flow and facilitate dust-shedding for effective heat dissipation and thermal management of LED engine

### E Performance in extreme environments

- Operating ambient -40 °C to +65 °C
- Type 4X, IP66
- Corrosion-resistant aluminum housing with Corro-free™ epoxy power coating
- Vibration tested in accordance with Section 33 of UL 844
- Impact tested in accordance with Section 68 of UL 844
- 6 kV surge protection

## LIGHT PERFORMANCE AND QUALITY

### F Custom optics and colors

- Directs light where you need it, helping eliminate gaps and dark spots
- Can potentially reduce the number of light fixtures required in your application
- Green and amber LEDs available for wildlife conservation applications



#### TYPE I

Long and rectangular for hallways, walkways, loading docks, catwalks



#### TYPE III

Stanchion and wall-mount light distribution, minimizing spillover on the wall

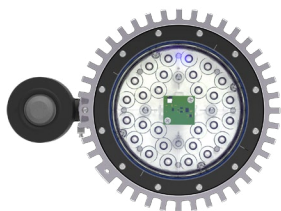


#### TYPE V

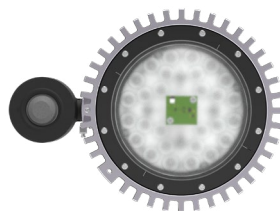
Regular circular distribution pattern for high/low bay indoor and outdoor ceiling or pendant mount lighting

### G Glass or polycarbonate lens with clear or diffused finish

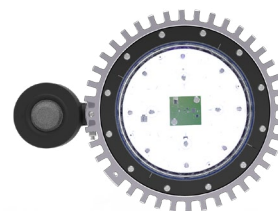
- A variety of lens materials and finishes available to meet customer requirements or preference



CLEAR

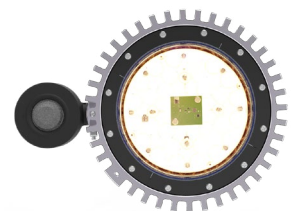


DIFFUSED



#### 5000 K - COOL

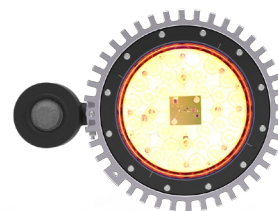
Crisp, bright white with a blue hue



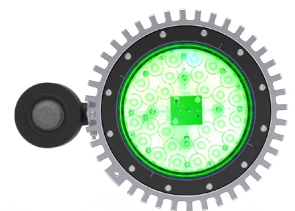
#### 3000 K - WARM

Warm white with a yellow hue

**Note:** Also available in 2200 K and 4000 K upon request.



TRUE AMBER



TRUE GREEN

## INSTALLATION EASE

### H Retrofit-friendly universal top hats

- Crouse-Hinds series Champ LED luminaires utilize the same mounting modules as our legacy products, simplifying installation and significantly reducing costs in retrofit projects
- We also offer mounting adapters and kits for quick connection to other manufacturers' modules (Appleton, Thomas and Betts, GE)

### I Lever lock connectors and terminal blocks

- Plug and play wiring simplifies and speeds installations
- Accepts 10-20 AWG wire

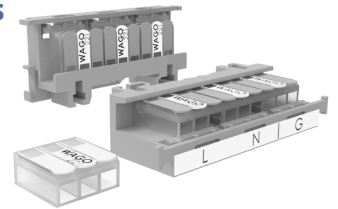
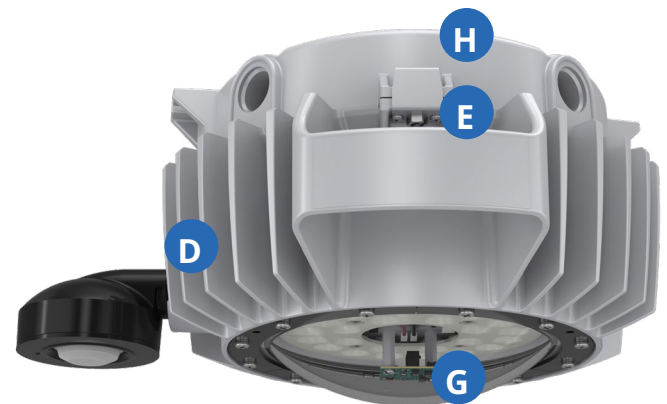


Image is representative only.



# Champ VMVL LED product specifications

## Certifications and compliances

### NEC®, CEC and IEC

- Class I, Division 2, Groups A, B, C, D
- Class II, Groups E, F, G
- Class III
- Class I, Zn. 2 AEx ec ia IIC; Class I, Zn. 2 Ex ec ia IIC
- Zn. 21 AEx ia tb IIIC; Zn. 21 Ex ia tb IIIC
  - Ex ec ia IIC T\* Gc
  - Ex ia tb IIIC T\*°C Db
  - II 3 G Ex ec ia IIC T\* Gc
  - II 2 D Ex ia tb IIIC T\*°C Db
  - IECEx UL 19.0039X
  - DEMKO 19 ATEX 2118X
  - DEMKO 19 ATEX 2119X
- Simultaneous presence
- Wet locations, Type 4X, IP66

### UL® standards

- UL 844; UL 913; UL 1598; UL 1598A; UL 50E
- UL 60079-0; UL 60079-7; UL 60079-11; UL 60079-31

### CSA® standards

- CSA C22.2 No. 137; CSA C22.2 No. 94.2
- CSA C22.2 No. 60079-0
- CSA C22.2 No. 60079-7
- CSA C22.2 No. 60079-11
- CSA C22.2 No. 60079-31

### IEC and EN standards

- IEC/EN 60079-0
- IEC/EN 60079-7
- IEC/EN 60079-11
- IEC/EN 60079-31

## Design features

- **Installation flexibility:** seven mounting module styles help ensure that the fixtures are installed in the correct location to properly light your facility
- **Energy-efficient technology:** up to 77% energy savings over HID fixtures
- **Contains no mercury** or other hazardous substances
- **Shock- and vibration-resistant** solid-state luminaires have no filaments or glass components that could break—greatly reduces the risk of premature failure
- **Operating ambient:** -40 °C to +65 °C
- **Up to 60,000 hours lifetime** at +65 °C
- **7-year fixture warranty** <sup>A</sup>

<sup>A</sup> Refer to the authorized distributor price book for Crouse-Hinds standard Terms and Conditions.  
Standard 7-year warranty extends to 10-year warranty from date of installation with active subscription to Brightlayer Industrial Advanced plan.

## Colored LED options

- **Available in true green and true amber** for wildlife friendly applications <sup>C</sup>
- **Reduction in light pollution** for night space observation and sky glow due to isolating blue wavelength in red and amber colors
- **Improves visibility for telescopes** in observatories during night sky space exploration

## Standard materials

- **Lamp housing and adapter:** die cast aluminum with Corro-free epoxy powder coat
- **Lens:** heat- and impact-resistant glass (clear or diffused) or polycarbonate
- **Gaskets:** silicone
- **External hardware:** stainless steel
- **Factory sealed:** no external seals required

## LED system

- **High-intensity** discrete power emitters
- **Standard:** cool white (5000 K, 70 CRI); **optional:** warm white, (3000 K, 80 CRI), neutral white (4000 K, 70 CRI), **deep warm** (2200 K, 70 CRI, DarkSky ready)
- **Custom Type I, III and V optics** available

## Electrical ratings and weights

Catalog number	Weight kg (lb)	Nominal lumens (lm) <sup>B</sup>	Efficacy (lm/W)	Nominal Wattage (W)	Max. <sup>E</sup> Wattage (W)	Voltage	Nominal Amperes (A)	Max. <sup>E</sup> Amperes (A)	Power factor	THD (%)	Surge protection (kV)
VMVL-3-UNV1	5.45 (12)	3225	153	21	23	100–277 VAC, 50/60 Hz; 127–250 VDC	0.22–0.08	0.26	> 0.90 <sup>D</sup>	<15	6
VMVL-5-UNV1	5.45 (12)	5456	155	35	39	100–277 VAC, 50/60 Hz; 127–250 VDC	0.36–0.13	0.45	> 0.90	<15	6
VMVL-7-UNV1	5.45 (12)	7607	152	50	54	100–277 VAC, 50/60 Hz; 127–250 VDC	0.5–0.19	0.60	> 0.90	<15	6
VMVL-AT-UNV1	5.45 (12)	2030	75	27	33	100–277 VAC, 50/60 Hz; 127–250 VDC	0.27–0.10	0.37	> 0.90	<15	6
VMVL-GT-UNV1	5.45 (12)	2900	145	20	23	100–277 VAC, 50/60 Hz; 127–250 VDC	0.2–0.07	0.27	> 0.90 <sup>D</sup>	<15	6

<sup>B</sup> Nominal lumens are based on Type V optics, 5000 K CCT with a clear glass lens. The nominal wattage is measured at 120VAC.

<sup>C</sup> Custom optics not available with colored LEDs.

<sup>D</sup> For VMVL-3-UNV1 & VMVL-GT-UNV1: PF>0.9 from 100-255 VAC.

<sup>E</sup> In the event of an abnormal condition (single-string functioning), the maximum wattage and current will be reached.

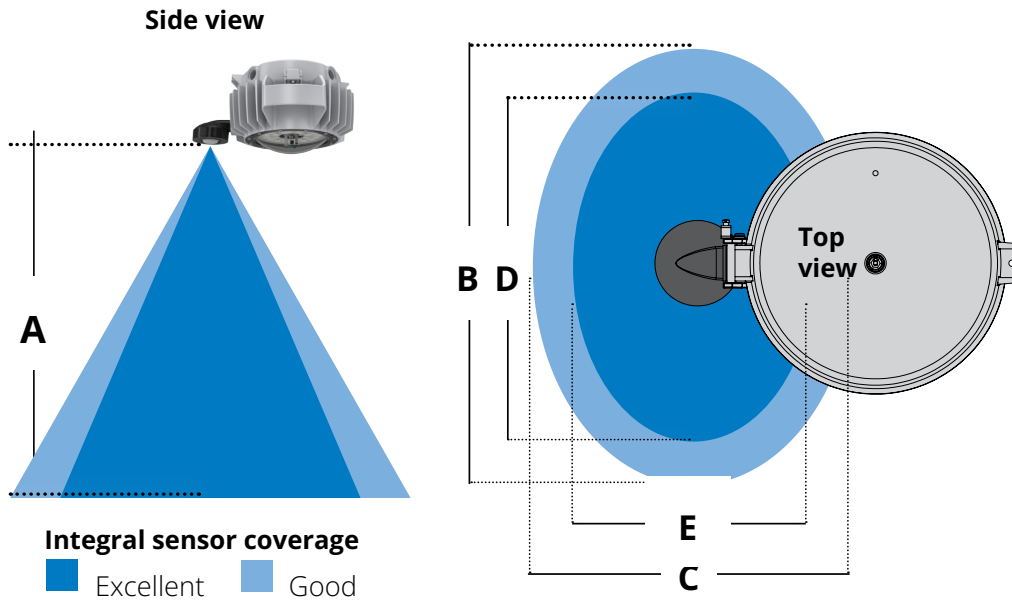
## Temperature codes, UNV1 driver

UNV1: VMVL-3 to VMVL-7	40 °C	55 °C	65 °C
Class I, Division 2	T5	T4A	T4A
Class II, Division 1	T4	T4	T4
Simultaneous presence Class I, Division 2 Class II, Division 1	T3B	T3A	T3
Zone 2, AEx ec ia IIC Zone 2, Ex ec ia IIC	T4	T4	T4
Zone 21, AEx ia tb IIIC Zone 21, Ex ia tb IIIC	T135	T135	T135

## Photometrics

For IES photometric files, please refer to the resource tab of the [VMVL LED product page](#) on Eaton.com.

## Integral sensor coverage



Mounting height of fixture	Good coverage		Excellent coverage	
	B	C	D	E
12	15	12	12	9
30	40	36	36	30

Numbers above are listed in feet.

# Ordering information

## Part number example: VMVL-3-N-A2-R1-G-UNV1-SS12-M3

Champ VMVL LED, 3000 lumens, 4000 K neutral white, ¾-inch pendant mount, Type I optics, clear glass lens, wire guard, 100–277 Vac driver, integrated sensor, intelligent light fixture.

# VMVL - 3 - N - A2 - R1 - - G - UNV1 - SS12 - M3

### Light source/intensity

<b>3</b>	3250 nominal lumens
<b>5</b>	5537 nominal lumens
<b>7</b>	7442 nominal lumens
<b>AT A</b>	True Amber LEDs (dominant wavelength 585–595 nm)
<b>GT A</b>	True Green LEDs (dominant wavelength 520–535 nm)

### Color temperature

<b>BLANK</b>	5000 K, 70 CRI (cool white)
<b>N A</b>	4000 K, 70 CRI (neutral white)
<b>W</b>	3000 K, 80 CRI (warm white)
<b>D A</b>	2200 K CCT, 70 CRI (deep warm white)

### Lens guard

<b>BLANK</b>	No guard
<b>G</b>	Wire guard

### Lens material

<b>BLANK</b>	Clear glass
<b>DG</b>	Diffused glass CDE
<b>PC</b>	Polycarbonate C
<b>UP</b>	Uplight glass globe refractor CE
<b>TG</b>	Teflon coated glass CDE

### Accessories and options

<b>BLANK</b>	No external sensor included
<b>SS12</b>	Sensor with barrier board (12–30 ft mounting height)
<b>SC</b>	Safety cable
<b>TB6</b>	6-pole terminal block
<b>TM F</b>	Trunion mount kit with pin

### Voltage

<b>UNV1</b>	100–277 Vac, 50/60 Hz; 127–250 Vdc
-------------	---------------------------------------

### Optics

<b>BLANK</b>	Type V optic standard
<b>R1 B</b>	Type I optic (all mounts minus ceiling)
<b>R3 B</b>	Type III optic (all mounts minus ceiling)
<b>R1A B</b>	Type I optic (ceiling with conduit 45° counterclockwise from top hat hinge)
<b>R3A1 B</b>	Type III optic (ceiling with conduit 45° counterclockwise from top hat hinge)

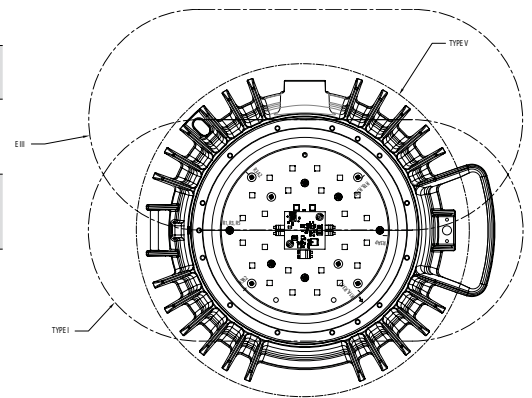
### Mount

<b>BLANK</b>	No mounting module	<b>T2</b>	¾-inch wall	<b>A20</b>	20 mm pendant
<b>J5</b>	1½-inch stanchion, 25° angled	<b>T3</b>	1-inch wall	<b>A25</b>	25 mm pendant
<b>P5</b>	1½-inch stanchion, straight	<b>C2</b>	¾-inch ceiling	<b>C20</b>	20 mm ceiling
<b>A2</b>	¾-inch pendant	<b>C3</b>	1-inch ceiling	<b>C25</b>	25 mm ceiling
<b>A3</b>	1-inch pendant	<b>B2</b>	¾-inch dust shedding	<b>T20</b>	20 mm wall
<b>H2</b>	¾-inch offset pendant	<b>B3</b>	1-inch dust shedding	<b>T25</b>	25 mm wall

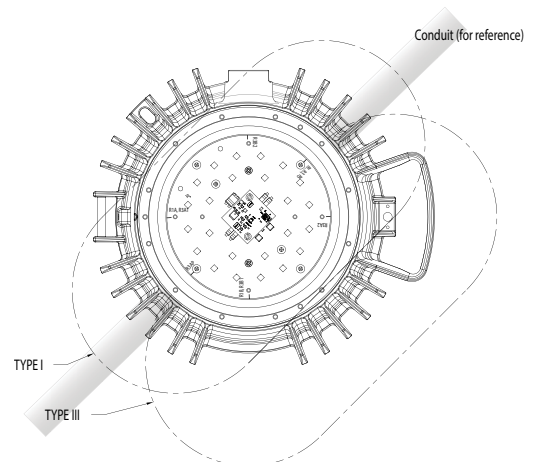
- A Consult customer service for lead time.
- B Additional clocked optics available upon request. Please contact customer service.
- C Only one lens option may be selected.
- D UL/cUL only, not available for IECEX/ATEX.
- E Available with Type V optic only.
- F Must be used with ceiling mounting modules. For suffix TM, the luminaire is restricted to Class I, Division 2 applications only when it is used for pole mounting.

### Brightlayer Industrial Intelligent Lighting service plan

<b>BLI-CH-DL-ADV</b>	1 year Advanced service plan—1 device
----------------------	---------------------------------------



Bottom view (R1, R3)  
Type R1 and R3 optic



Type R1A and R3A1 optic

# Accessories

## Mounting modules



Stanchion—straight



Stanchion—25° angled



Wall



Ceiling



Cone pendant



Pendant

Hub size	Stanchion—straight	Stanchion—angled	Pendant	Offset pendant	Wall	Ceiling	Cone pendant
3/4 inches	—	—	APM2	HPM2	TWM2	CM2	BPM2
1 inch	—	—	APM3	—	TWM3	CM3	BPM3
1-1/2 inches	PM5	JM5	—	—	—	—	—
20 mm	—	—	APM20	—	—	—	—
25 mm	—	—	APM25	—	TWM25	—	—

Mounting module	lb	kg
Pendant	1.25	0.57
Cone pendant	4.00	1.81
Flexible pendant	1.50	0.68
Ceiling	2.75	1.25
Wall	4.50	2.04
Angled stanchion	3.50	1.59
Straight stanchion	4.50	2.04

## Mounting adapters

CHMM1	Mounting adapter for Appleton MercMaster III mounts
CHMM2	Mounting adapter for Appleton MercMaster II mounts
CHMM3	Mounting adapter for Thomas and Betts HazLux mounts
CHMM4	Mounting adapter for GE H2 Filtr-Gard mounts

## Replacement driver kits

VMVL-3-UNV1-M3-DRIVER KIT	UNV1 replacement driver kit for VMVL-3 fixtures
VMVL-5-UNV1-M3-DRIVER KIT	UNV1 replacement driver kit for VMVL-5 fixtures
VMVL-7-UNV1-M3-DRIVER KIT	UNV1 replacement driver kit for VMVL-7 fixtures
VMVL-AT-UNV1-M3-DRIVER KIT	UNV1 replacement driver kit for VMVL True Amber
VMVL-GT-UNV1-M3-DRIVER KIT	UNV1 replacement driver kit for VMVL True Green

## Mounting kits and hardware

VMVL S812 K1	Trunnion mount kit with pin ABC
VMVL S812 K1 DBR	PVC coated trunnion mount kit with pin ABC
VMVL S831 K1	Safety cable
VMVL S890 K1	Quick clip

A Available with ceiling mounted modules only.

B Luminaire is restricted to Class I, Division 2 applications only when it is used for pole mounting.

C Can be mounted in 90°, 113° and 135° with fixed locking positions.

## Intelligent lighting and control components

NHZZ-SS12 KIT	Sensor and barrier assembly kit
---------------	---------------------------------

## Lens guard

PA3001	Wire guard
PU3003	Uplight wire guard



CHMM1



CHMM2



CHMM3



CHMM4



VMVL S812 K1



PA3001



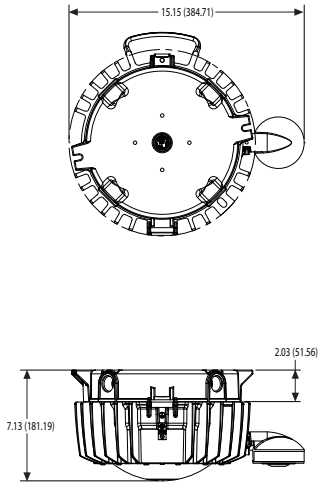
NHZZ-SS12 KIT



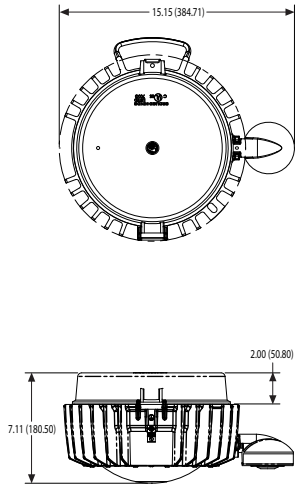
PU3003

# Dimensions

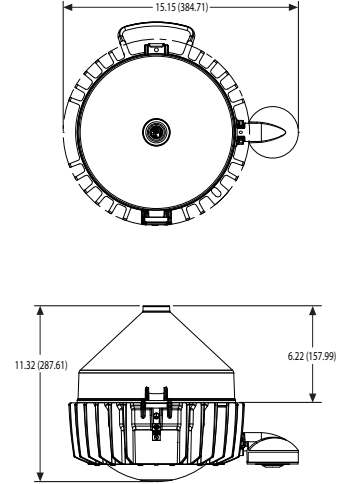
**Ceiling**



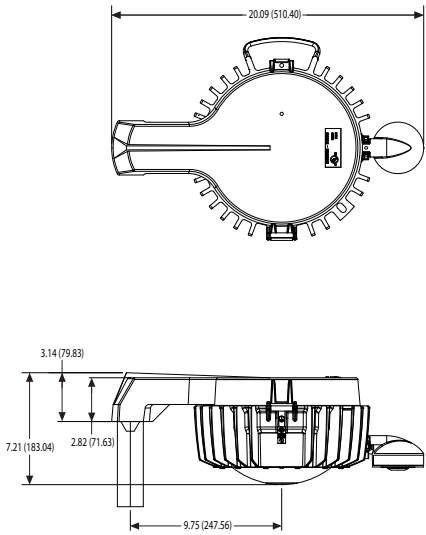
**Pendant**



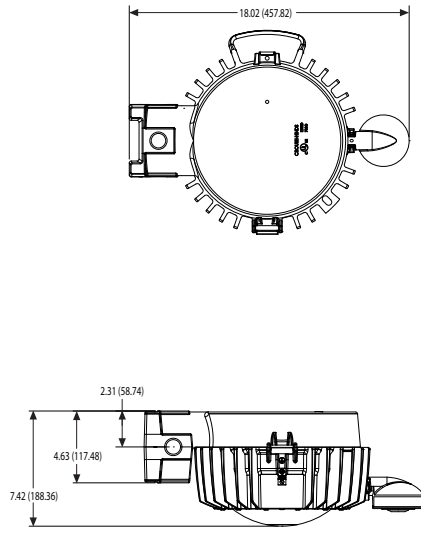
**Cone**



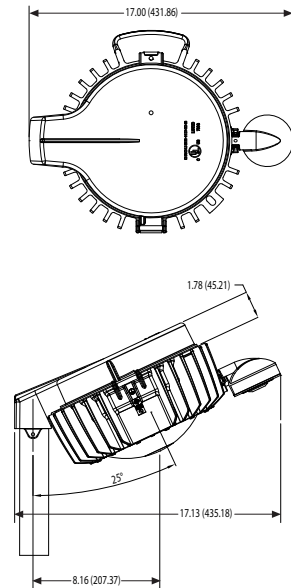
**Stanchion—straight**



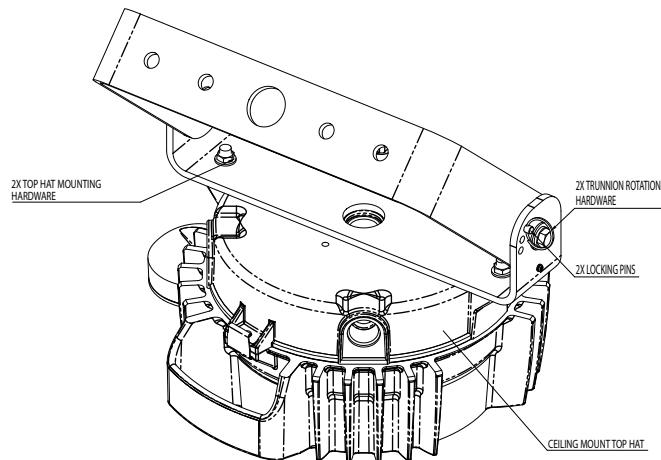
**Wall**



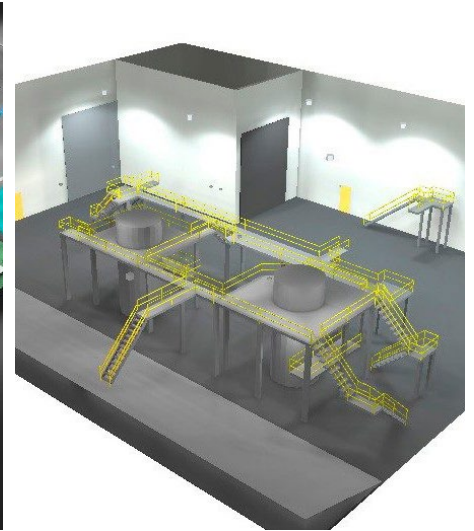
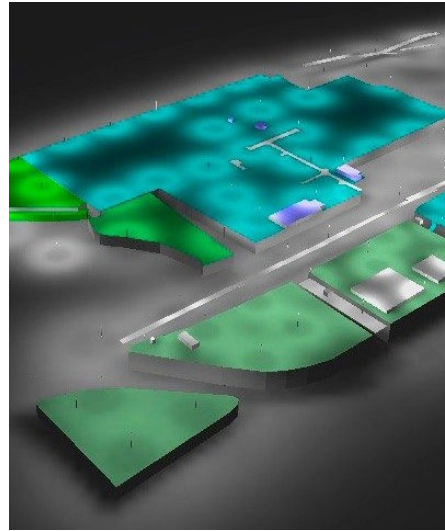
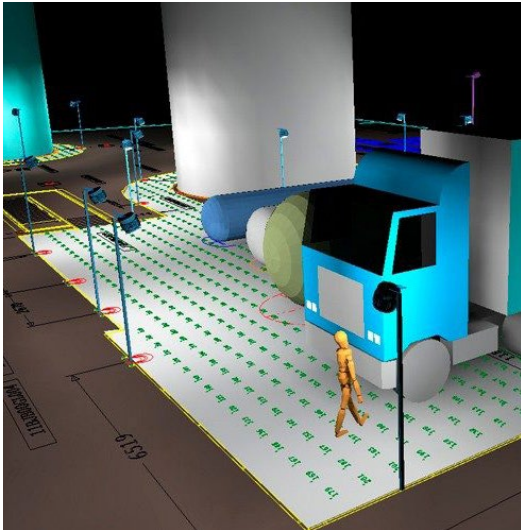
**Stanchion— 25° angled**



**Trunnion**



# Complimentary lighting layout, analysis and design support for Crouse-Hinds series light fixtures



From simple layouts to complex drawings, our industrial and hazardous area lighting design engineers will work with you to deliver precise, efficient, application and environment-appropriate lighting designs.

Our experts can save you time and money by creating a virtual model of a proposed design, revealing luminaire characteristics and effects that would be hard to detect in anything short of the completed installation.

## We provide the following to you:

- 3D fixture placement with comparison of alternate fixtures and mounting heights
- Point-by-point footcandle diagram calculations
- AutoCAD drawings overlaying customer floorplans
- Complete bill of material

Take advantage of our lighting layout services today.



Complete our lighting layout request form and send any supporting project information to [lightinglayouts@eaton.com](mailto:lightinglayouts@eaton.com)

Eaton offers a complimentary solution for lighting designers and engineers looking for a state-of-the-art, effective and professional light planning software package.

Our experts can save you time and money by creating a virtual model of a proposed design, revealing luminaire characteristics and effects that would be hard to detect in anything short of the completed installation.

## Application benefits:

- Generates results showing expected light readings in either footcandles or LUX
- Provides professional quality summary reports
- Allows for energy evaluation reporting
- Planning for whole buildings, including outdoor spaces
- Document your results with photo-realistic visualizations
- Import AutoCAD drawings to use as a background guide with light fixture planning

## Two steps to get started:

### 1 Click here

[To download the latest version of DIALux.](#) DIALux is free of charge and can be downloaded in many languages.

### 2 Click here

[Click here to download the Eaton's Crouse-Hinds series plugin.](#)

The DIALux software comes without any luminaire (photometric) data. This data (called a "plugin") must be installed separately. The Eaton's Crouse-Hinds series plugin includes the complete photometric database of Eaton's Crouse-Hinds series lighting products.

**Note:** Users who have already downloaded and installed any DIALux program only need to install the Eaton's Crouse-Hinds series plugin. Our plugin will work with either DIALux or DIALux EVO lighting software programs.

# Notes

# Notes

**U.S. (global headquarters):  
Eaton's Crouse-Hinds business**

1201 Wolf Street  
Syracuse, NY 13208

(866) 764-5454  
FAX: (315) 477-5179  
FAX Orders Only:  
(866) 653-0640

[crousecustomerctr@eaton.com](mailto:crousecustomerctr@eaton.com)

**Eaton's B-Line business**

509 West Monroe Street  
Highland, IL 62249

800-851-7415  
FAX: 618-654-1917

[Eaton.com/b-lineseries](http://Eaton.com/b-lineseries)

**IEC Electrical**

(CEAG products)

49 (0) 6271 806-500  
FAX: 49 (0) 6271 806-476

[Info-ex@eaton.com](mailto:Info-ex@eaton.com)

**Airport Lighting**

866-764-5454

[CrouseCustomerCTR@eaton.com](mailto:CrouseCustomerCTR@eaton.com)

**Mexico/Latin America/  
Caribbean**

52-555-804-4000  
FAX: 52-555-804-4020

[ventascentromex@eaton.com](mailto:ventascentromex@eaton.com)

**Haz Area Communications**

(MEDC, Hernis, Oxalis, FHF Sonix)

44 (0) 1623 444400  
FAX: 44 (0) 1623 444531

[MEDCadmin@eaton.com](mailto:MEDCadmin@eaton.com)

**Canada**

Toll Free: 800-265-0502  
FAX: (800) 263-9504  
FAX Orders only: (866) 653-0645

**China**

86-21-2899-3600  
FAX: 86-21-2899-4055

[echsales@eaton.com](mailto:echsales@eaton.com)

**Process Instrumentation**

(MTL products)

44 (0) 1582 723633  
FAX: 44 (0) 1582 422283

[mtlenquiry@eaton.com](mailto:mtlenquiry@eaton.com)

**Eaton Middle East**

9714-8066100  
FAX: 9714-8894813

[CHBL-ME@eaton.com](mailto:CHBL-ME@eaton.com)

**Australia**

61-2-8787-2777  
FAX: 61-2-9609-2342

[Crousehindsanz@eaton.com](mailto:Crousehindsanz@eaton.com)

Learn more about Champ Intelligent Lighting  
and Brightlayer at [Eaton.com/Intelligent-Lighting](http://Eaton.com/Intelligent-Lighting)

**Eaton**

1000 Eaton Boulevard  
Cleveland, OH 44122  
United States  
[Eaton.com](http://Eaton.com)

©2025 Eaton  
All Rights Reserved  
Printed in USA  
Publication No. BR403010EN / Z28895  
May 2025

Eaton is a registered trademark.

All other trademarks are property  
of their respective owners.

Follow us on social media to get the  
latest product and support information.



Powering Business Worldwide