

# Vaporgard V2L/V3L LED luminaires

Cl. I, Div. 2, Groups A, B, C, D  
Cl. II, Div. 1 & 2, Groups F, G

UL Listed  
CSA Certified  
IEC/ATEX  
NEMA 4X; IP66

2L

2L

## The Vaporgard™ LED family

### Cool white color temperature – 5000K

Provides uniform crisp, white light and is suitable for lower mounting heights, confined spaces, tunnels or utility rooms. This fixture can deliver similar light levels to 50 watt HID.

### Warm white color temperature – 3000K

Provides similar benefits as the cool white version, but with a color rendering more consistent with a warm incandescent or HPS lamp source.

### Available with DC power supply

For applications with DC power requirements such as solar, battery or UPS. The DC power supply is suitable for 10 VDC through 30 VDC.

Model	Nominal lumens	Watts	Equivalent luminaire	Typical energy savings / lifetime
V2LM2C/UNV1	1,772	14	50W HID or 150-200W incandescent	90% energy savings and 50,000 hours of 24/7 operation
V3LM2C/UNV1	3,335	29		

## Applications:

- Oil and gas refineries, drilling rigs, petrochemical facilities, food and beverage facilities, platforms, loading docks, tunnels, outdoor wall and stanchion mounted general area lighting, and where flammable vapors, gases, ignitable dusts, fibers or flyings are present
- Locations requiring continuous and consistent light levels in extreme ambient temperatures
- Where extremely corrosive, wet, dusty, hot and/or cold conditions exist
- Type 4X, marine, wet locations and hose down environments
- Confined space or low ceiling areas, such as tunnels, utility rooms, over doorways, entries, landings, etc.
- Areas requiring frequent on/off of lights
- Areas where maintenance is difficult or challenging
- Areas requiring shatter-protected products, such as food processing facilities
- Outdoor wall or ceiling mounted area illumination
- Low mounting heights
- Classified and hazardous locations

## Features:

- Instant illumination and restrike
- Cold temperature operation; no warm-up time
- Lightweight, low profile and cool surface temperatures
- Driver with internal fusing for branch circuit protection
- High efficacy LEDs can save up to 90% in energy costs
- No mercury or hazardous chemicals – eliminates disposal concerns
- Mounts to existing Vaporgard mounting modules
- Shock- and vibration-resistant
- Teflon coated lens (suffix S896) option for increased safety in food processing facilities
- Operating ambient:
  - V2L: -30°C to +55°C
  - V3L: -30°C to +40°C



V2LM2C



V2LM2W

## Certifications and compliances:

### NEC/CEC:

- Class I, Division 2, Groups A, B, C, D
- Class II, Divisions 1 & 2, Groups F, G<sup>A</sup>

### UL standards:

- UL844; UL1598; UL1598A

### CSA standard:

- CSA C22.2 No. 137

### Environmental ratings:

- NEMA 4X, IP66

### IEC:

- IEC 60079-0:2011; IEC 60079-31:2013; IEC 60079-7:2017
- V2LM2/UNV1: Ex ec IIC T5 Gc; Ex tc IIIB T62°C Dc IP66
- V2LM2/DC1: Ex ec IIC T6 Gc; Ex tc IIIB T50°C Dc IP66
- V3LM2/UNV1: Ex ec IIC T4 Gc; Ex tc IIIB T69°C Dc IP66
- V3LM2/DC1: Ex ec IIC T5 Gc; Ex tc IIIB T60°C Dc IP66

### ATEX:

- EN 60079-0: 2012+A11:2013; EN 60079-7: 2015 +A1:2018; EN 60079-31:2014
- V2LM2/UNV1:
  - ⊕ II 3 G Ex ec IIC T5 Gc; ⊕ II 3 D Ex tc IIIB T62°C Dc IP66
- V2LM2/DC1:
  - ⊕ II 3 G Ex ec IIC T6 Gc; ⊕ II 3 D Ex tc IIIB T50°C Dc IP66
- V3LM2/UNV1:
  - ⊕ II 3 G Ex ec IIC T4 Gc; ⊕ II 3 D Ex tc IIIB T69°C Dc IP66
- V3LM2/DC1:
  - ⊕ II 3 G Ex ec IIC T5 Gc; ⊕ II 3 D Ex tc IIIB T60°C Dc IP66

## Standard materials:

- Body and mounting modules – copper-free aluminum with Corro-free epoxy powder coat
- Lens bezel – aluminum with anodized finish
- Lens – heat- and impact-resistant glass
- Gaskets – silicone
- External hardware – stainless steel

## Photometrics:

- Refer to [www.eaton.com](http://www.eaton.com) (under the Resources tab of each product family) for specific photometric IES files

<sup>A</sup>Limited mounting options.

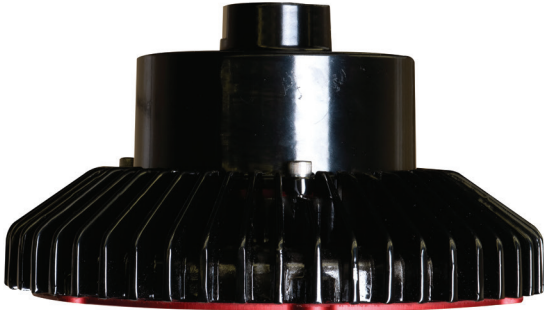
# Vaporgard V2L/V3L LED luminaires

Cl. I, Div. 2, Groups A, B, C, D  
Cl. II, Div. 1 & 2, Groups F, G

UL Listed  
CSA Certified  
IEC/ATEX  
NEMA 4X; IP66

2L

2L



## EASY INSTALLATION AND REPLACEMENT

- Contractor-friendly design is ideal for both retrofit and new construction applications
- Installed using the same wall and ceiling mounts as incandescent Vaporgard fixtures

## RUGGED HEAT SINK

- Heat sink designed to perform in high ambient temperatures up to +55°C and as low as -30°C
- Thick walled castings make for a tough, rugged housing that keeps the internal driver and LED temperature down

## LOW PROFILE DESIGN

- Unique domeless, low profile design for low mounting heights and confined spaces where incandescent and HID based luminaires are too large to fit in the mechanical envelope required

## MULTIPLE LENS OPTIONS

- Tempered clear glass lens standard
- Diffused glass lens and Teflon coated lens options available

## MODULAR DESIGN

- Compact and modular design allows for easy component replacement and future upgrades



# Vaporgard V2L/V3L LED luminaires

Cl. I, Div. 2, Groups A, B, C, D  
Cl. II, Div. 1 & 2, Groups F, G

UL Listed  
CSA Certified  
IEC/ATEX  
NEMA 4X; IP66

2L

2L

## LED driver:

- Constant current regulated power supply
- 120-277 VAC, 50/60 Hz
- Power factor, >0.90
- Low harmonic distortion: <20%
- Low in-rush current, <20 amperes
- EMC compliant to 47CFR, Part 2, Part 15
- 10-30 VDC option available

## LED system:

- Four high brightness LED arrays
- Cool white (5000K), CRI 70
- Neutral white (4000K), CRI 80
- Warm white (3000K), CRI 82
- L70 >60,000 hours

## Accessories (ordered separately):

### Replacement driver kits

V2LM2/P2LM2 350MA AC DRIVER KIT	Replacement 350MA AC driver kit
V2LM2/P2LM2 350MA DC DRIVER KIT	Replacement 350MA DC driver kit
V3LM2/P3LM2 700MA DC DRIVER KIT	Replacement 700MA DC driver kit

## Electrical ratings:

Model	120-277 VAC input		10-30 VDC input	
	Power	Current	Power	Current
V2LM2	14W	0.12A	14W	1.4A
V3LM2	29W	0.24A	31W	3.0A

Note: 5 year limited warranty.

## Temperature performance data:

UNV1	Ambient temp. °C	Class I, Div. 2	Class II, Div. 2	Class III, Div. 1
V2LM2	40	T5	T5	T5
	55			
V3LM2	40	T4	T4	T4
	55			

DC1	Ambient temp. °C	Class I, Div. 2	Class II, Div. 2	Class III, Div. 1
V2LM2	40	T5	T5	T5
V3LM2	40	T6	T6	T6

## Weights:

Mounting style	Lbs.	Kg.
Pendant	5.70	2.59
Ceiling	6.80	3.08
Wall	7.90	3.58
Stanchion	6.50	2.95

## Ordering information:

Part number example

V2LM2CHBF1/UNV1 S891

<h1>V</h1> <p><b>Series</b></p> <table border="1"> <tr> <td>V</td> <td>Hazardous area rated</td> </tr> </table> <p><b>Nominal lumens</b></p> <table border="1"> <tr> <td>2LM2</td> <td>1,772 lumen LED</td> </tr> <tr> <td>3LM2</td> <td>3,335 lumen LED</td> </tr> </table> <p><b>Color temperature</b></p> <table border="1"> <tr> <td>C</td> <td>Cool (5000K), 70 CRI min.</td> </tr> <tr> <td>N</td> <td>Neutral (4000K), 80 CRI min.</td> </tr> <tr> <td>W</td> <td>Warm (3000K), 80 CRI min.</td> </tr> </table> <p>Note: Consult factory for availability on neutral color temperature.</p>	V	Hazardous area rated	2LM2	1,772 lumen LED	3LM2	3,335 lumen LED	C	Cool (5000K), 70 CRI min.	N	Neutral (4000K), 80 CRI min.	W	Warm (3000K), 80 CRI min.	<h1>2LM2</h1> <h1>C</h1> <p><b>Mounting modules</b> Class I, Division 2; Class II, Division 1, Groups F, G</p> <table border="1"> <tr> <td>A</td> <td>VLA – pendant mount</td> </tr> <tr> <td>HJ</td> <td>VXJ – stanchion mount</td> </tr> <tr> <td>HW<sup>B</sup></td> <td>VXW – wall mount</td> </tr> </table> <p style="text-align: center;"><b>OR</b></p> <p><b>Class I, Division 2; Class II, Division 2, Groups F, G</b></p> <table border="1"> <tr> <td>BLANK</td> <td>LED housing only (warehouse/spare parts)</td> </tr> <tr> <td>HBF</td> <td>VXT – wall mount with VXFT junction box</td> </tr> <tr> <td>HF</td> <td>VXF – junction box for ceiling mount</td> </tr> <tr> <td>HR</td> <td>VLHR – adapter cover (for retrofit)</td> </tr> <tr> <td>HT</td> <td>VXT – wall mount</td> </tr> </table>	A	VLA – pendant mount	HJ	VXJ – stanchion mount	HW <sup>B</sup>	VXW – wall mount	BLANK	LED housing only (warehouse/spare parts)	HBF	VXT – wall mount with VXFT junction box	HF	VXF – junction box for ceiling mount	HR	VLHR – adapter cover (for retrofit)	HT	VXT – wall mount	<h1>1</h1> <p><b>Voltage</b></p> <table border="1"> <tr> <td>/UNV1</td> <td>120-277 VAC, 50/60 Hz</td> </tr> <tr> <td>/DC1<sup>C</sup></td> <td>10-30 VDC</td> </tr> </table> <p><b>Hub size</b></p> <table border="1"> <tr> <td>BLANK</td> <td>No hub (LED housing, adapter)</td> </tr> <tr> <td>1</td> <td>½" NPT (pendant, ceiling, wall)</td> </tr> <tr> <td>2</td> <td>¾" NPT (pendant, ceiling, wall)</td> </tr> <tr> <td>3</td> <td>1" NPT (pendant)</td> </tr> <tr> <td>4</td> <td>1¼" NPT (stanchion)</td> </tr> </table>	/UNV1	120-277 VAC, 50/60 Hz	/DC1 <sup>C</sup>	10-30 VDC	BLANK	No hub (LED housing, adapter)	1	½" NPT (pendant, ceiling, wall)	2	¾" NPT (pendant, ceiling, wall)	3	1" NPT (pendant)	4	1¼" NPT (stanchion)	<h1>/UNV1</h1> <h1>S891</h1> <p><b>Options</b></p> <table border="1"> <tr> <td>BLANK</td> <td>Clear glass lens</td> </tr> <tr> <td>S891</td> <td>Diffused glass lens</td> </tr> <tr> <td>S896</td> <td>Teflon coated lens</td> </tr> </table>	BLANK	Clear glass lens	S891	Diffused glass lens	S896	Teflon coated lens
V	Hazardous area rated																																																		
2LM2	1,772 lumen LED																																																		
3LM2	3,335 lumen LED																																																		
C	Cool (5000K), 70 CRI min.																																																		
N	Neutral (4000K), 80 CRI min.																																																		
W	Warm (3000K), 80 CRI min.																																																		
A	VLA – pendant mount																																																		
HJ	VXJ – stanchion mount																																																		
HW <sup>B</sup>	VXW – wall mount																																																		
BLANK	LED housing only (warehouse/spare parts)																																																		
HBF	VXT – wall mount with VXFT junction box																																																		
HF	VXF – junction box for ceiling mount																																																		
HR	VLHR – adapter cover (for retrofit)																																																		
HT	VXT – wall mount																																																		
/UNV1	120-277 VAC, 50/60 Hz																																																		
/DC1 <sup>C</sup>	10-30 VDC																																																		
BLANK	No hub (LED housing, adapter)																																																		
1	½" NPT (pendant, ceiling, wall)																																																		
2	¾" NPT (pendant, ceiling, wall)																																																		
3	1" NPT (pendant)																																																		
4	1¼" NPT (stanchion)																																																		
BLANK	Clear glass lens																																																		
S891	Diffused glass lens																																																		
S896	Teflon coated lens																																																		

<sup>B</sup>Mounts directly to the wall, no VXFT junction box needed.

<sup>C</sup>Rated to +40°C.

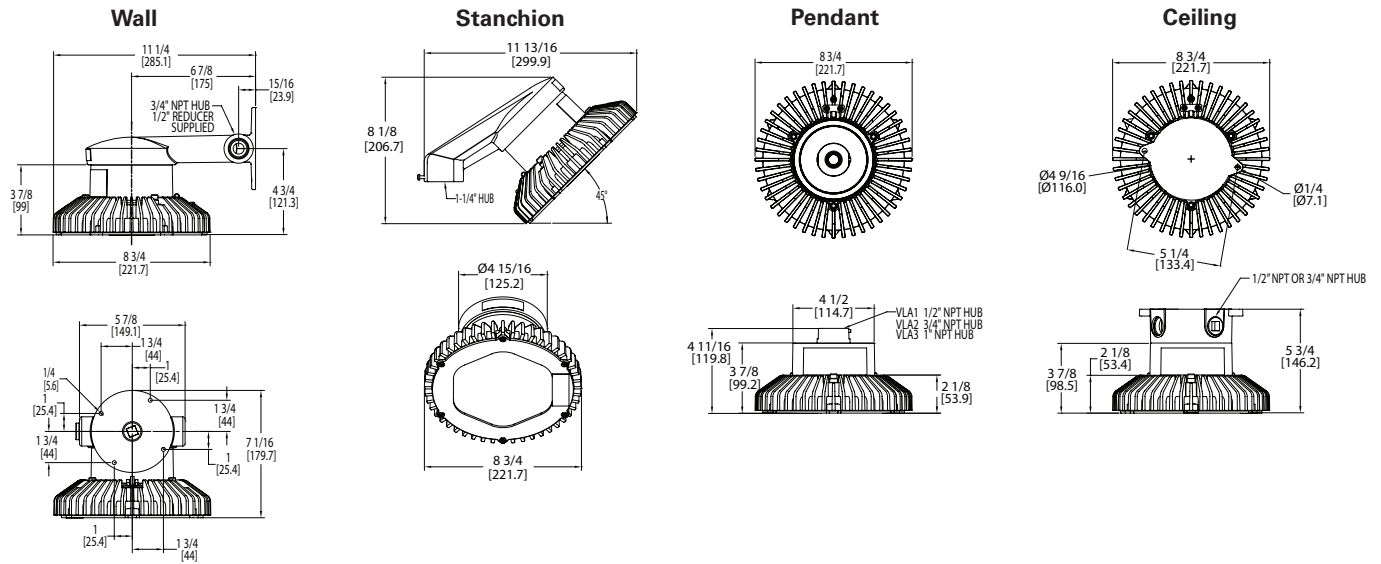
# Vaporgard V2L/V3L LED luminaires

Cl. I, Div. 2, Groups A, B, C, D  
Cl. II, Div. 1 & 2, Groups F, G

UL Listed  
CSA Certified  
IEC/ATEX  
NEMA 4X; IP66

2L

## Dimensions:



## Family tree:

