

Heavy industrial LED lighting

CROUSE-HINDS  
SERIES

# Champ PVML

High lumen LED lighting for heavy industrial



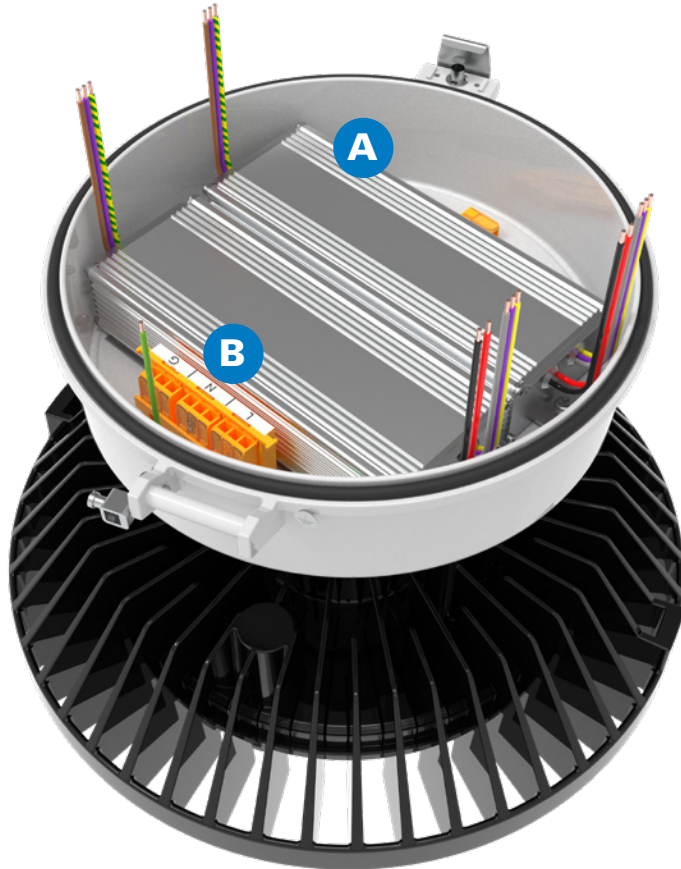
Safe. Reliable. Efficient.  
17,000 to 25,000 lumens

**EATON**

*Powering Business Worldwide*

# Design features

Our Champ PVML high lumen LED is a field-proven design that helps ensure safety, reliability and performance in harsh and heavy industrial areas.



## INSTALLATION EASE

### A Easy access

- Separate driver compartment enables faster installation, access to wiring and field maintenance

### B Lever lock connectors and terminal blocks

- Plug and play wiring simplifies and speeds installations



### C Versatile mounting options

- Seven mounting options and four mounting adapters ensure that the fixtures are installed in the correct location to properly light your facility

## C

### Mounting modules



Stanchion - straight



Ceiling



Pendant



Stanchion - 25° angled



Wall



Cone pendant

### Mounting adapters



Appleton MercMaster III



Appleton MercMaster II



Thomas & Betts HazLux



GE H2 Filtr-Gard

## RELIABLE PERFORMANCE

### D Thermal management

- Heat fins help ensure proper air flow and facilitate dust-shedding for effective heat dissipation and thermal management of LED engine



### E Performance in extreme environments

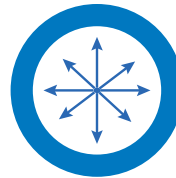
- Operating ambient: -40°C to 55°C
- Type 4X, IP66
- 6kV surge protection
- Corrosion-resistant aluminum housing with Corro-free™ epoxy powder coating
- Vibration tested to withstand up to 3-axis 3G vibration
- Impact tested in accordance with section 17.41 of UL1598



## OPTIMIZED LIGHT & QUALITY

### F Custom optics & colors

- Type V optics with wide, medium and narrow beam pattern options engineered for flexibility without requiring clocking
- Directs light where you need it, helping eliminate gaps and dark spots
- Precision optics match to your application to reduce the number of light fixtures required
- 3000K-WARM, 4000K-NEUTRAL and 5000K-COOL color options available



Wide

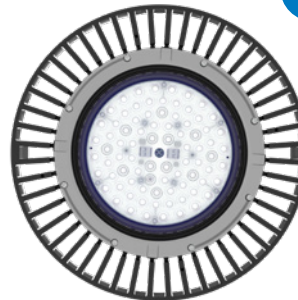


Medium

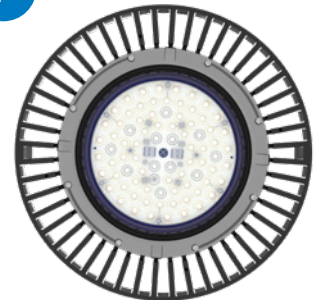


Narrow

### F



**5000K – COOL**  
Crisp, bright white with a blue hue.



**3000K – WARM**  
Warm white with a yellow hue.

### G Multiple lens options

- Clear glass lens standard
- Diffused glass, Teflon coated glass and clear polycarbonate lenses optional

### G



Clear



Diffused

# Specifications

## Certifications and compliances:

NEC and CEC

- Wet Locations, Type 4X, IP66

UL Standards

- UL1598 Luminaires, UL1598A Marine

CSA Standard

- cUL Listed to CSA Standard CSA C22.2 No. 250

IEC Standard

- CE

## Additional Champ PVML design features:

- Installation flexibility - seven mounting module styles help ensure that the fixtures are installed in the correct location to properly light your facility
- Energy-efficient technology - up to 77% energy savings over HID fixtures
- Contains no mercury or other hazardous substances
- Shock and vibration-resistant solid-state luminaires have no filaments or glass components that could break - greatly reduces the risk of premature failure
- Dimmable driver, 0-10V
- Operating ambient: -40°C to 55°C
- Up to 60,000 hours lifetime at 55°C
- 5 year fixture warranty\*

\*Refer to [terms & conditions](#) on Eaton.com for Crouse-Hinds series solutions.

## Accessories (ordered separately):

- Photocell, 120V, 50/60 Hz
- Photocell, 208-277V
- Occupancy sensor with photocell, 120/277 VAC
- Trunnion mount kit with redundant pin locking mechanism (ceiling mount required)
- Remote control for customizing occupancy sensor performance

## LED system:

- High intensity discrete power emitters
- Standard: cool white (5000K, 70 CRI); optional: warm white, (3000K, 80 CRI) or neutral white (4000K, 70 CRI)
- Custom Type V optics with wide, medium and narrow patterns

## Enhanced Surge Protection:

- Standard: 6kV IEC rated (6 kV/3kA L-L, 10 kV/0.83kA L-G)
- SG1 option: 6kV IEC & ANSI rated (6kV/3kA L-L & L-G)

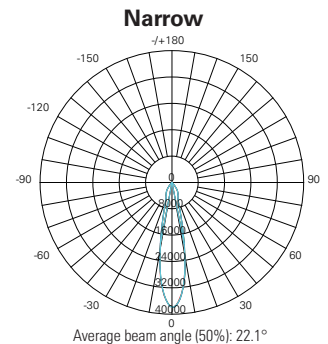
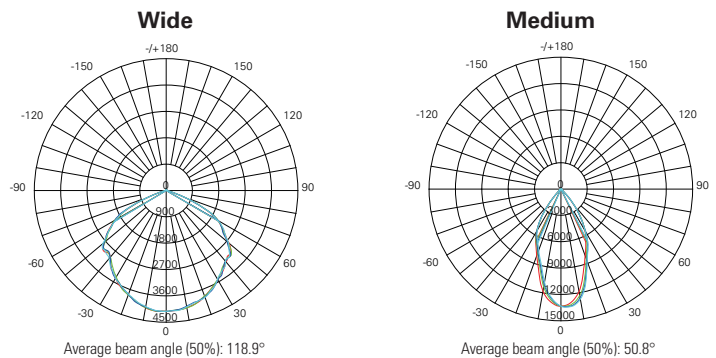
## Standard materials:

- Lamp housing and adapter - die cast aluminum with Corro-free™ epoxy powder coat
- Lens - heat and impact-resistant glass in clear or diffused options; also available in clear polycarbonate
- Gaskets - silicone
- External hardware - stainless steel
- Factory-sealed, no external seals required



Shown with dust shedding cone pendant mount.

## Polar curves – Type V beam patterns:



## Photometrics:

For IES photometric files, please refer to the resource tab of the [PVML LED product page](#) on Eaton.com



**Electrical ratings:**

Model	Weight lbs. (kg.)	Nominal lumens	Efficacy	Wattage	Voltage	Amps	Power factor	THD	Surge protection
PVML-17-UNV1	22.30 (10.11)	17,800	132 lm/W	134.42	100-277 VAC, 50/60 Hz; 127-250 VDC	0.487-1.351 VAC 0.531-1.048 VDC	0.90	< 20%	6 kV
PVML-21-UNV1	22.30 (10.11)	21,500	128 lm/W	168.23	100-277 VAC, 50/60 Hz; 127-250 VDC	0.600-1.687 VAC 0.567-1.309 VDC	0.90	< 20%	6 kV
PVML-25-UNV1	22.30 (10.11)	25,171	122 lm/W	204.40	100-277 VAC, 50/60 Hz; 127-250 VDC	0.719-2.050 VAC 0.789-1.582 VDC	0.90	< 20%	6 kV
PVML-17-UNV34	22.30 (10.11)	17,800	132 lm/W	133.40	347-480 VAC, 50/60 Hz	0.281-0.384 VAC	0.90	< 20%	6 kV
PVML-21-UNV34	22.30 (10.11)	21,500	128 lm/W	165.64	347-480 VAC, 50/60 Hz	0.348-0.477 VAC	0.90	< 20%	6 kV
PVML-25-UNV34	22.30 (10.11)	25,171	122 lm/W	199.43	347-480 VAC, 50/60 Hz	0.417-0.576 VAC	0.90	< 20%	6 kV

## More Champ solutions available

**Champ PVML**  
LED low & mid bay



 **Safe. Reliable. Efficient.**  
**3,000 to 13,000 lumens**

**Champ PFMA**  
LED floodlights



 **Safe. Reliable. Efficient.**  
**3,000 to 50,000 lumens**

# Ordering information

Part number example

PVML-17-W-2A-R5M-G-UNV1-S831-M2

## PVML - 17 - W - 2A - R5M - G - UNV1 - S831 - M2

### Lamp/function

<b>17</b>	17,800 lumen LED
<b>21</b>	21,500 lumen LED
<b>25</b>	25,171 lumen LED

### Color temperature

<b>BLANK</b>	Cool (5000K)
<b>W</b>	Warm (3000K)
<b>N*</b>	Neutral (4000K)

\*Consult customer service for lead time information.

### Mounting style

<b>BLANK</b>	No mounting module	<b>25A</b>	25mm pendant	<b>25C</b>	25mm ceiling
<b>J</b>	1-½" stanchion, 25° angled	<b>2B</b>	¾" cone pendant	<b>2HA</b>	¾" flexible pendant
<b>P</b>	1-½" stanchion, straight	<b>3B</b>	1" cone pendant	<b>2TW</b>	¾" wall
<b>2A</b>	¾" pendant	<b>2C</b>	¾" ceiling	<b>3TW</b>	1" wall
<b>3A</b>	1" pendant	<b>3C</b>	1" ceiling	<b>20TW</b>	20mm wall
<b>20A</b>	20mm pendant	<b>20C</b>	20mm ceiling	<b>25TW</b>	25mm wall

### Beam pattern

<b>BLANK</b>	Wide
<b>R5M</b>	Medium
<b>R5N</b>	Narrow

### Guard

<b>BLANK</b>	No wire lens guard
<b>G</b>	Wire lens guard

### Voltage (50/60 Hz)

<b>UNV1</b>	120-277 VAC; 108-250 VDC
<b>UNV34</b>	347-480 VAC

### Lens type

<b>BLANK</b>	Clear glass lens
<b>S891*</b>	Diffused lens
<b>S896*</b>	Teflon coated lens
<b>S903</b>	Polycarbonate lens

\*Not available for IEC.

### Additional options

<b>S812</b>	Trunnion mount kit w/ pin (available with ceiling mount only)
<b>S831*</b>	Safety cable
<b>SG1**</b>	Enhanced ANSI compliant surge rating
<b>TB6</b>	Six-pole terminal block

\*Not available for IEC.

\*\*Not available on UNV34 models.

## Accessories (ordered separately)

### Mounting modules

Hub size	Stanchion - straight	Stanchion - angled	Pendant	Offset pendant	Wall	Ceiling	Cone pendant
3/4"	-	-	APM2	HPM2	TWM2	CM2	BPM2
1"	-	-	APM3	-	TWM3	CM3	BPM3
1-1/2"	PM5	JM5	-	-	-	-	-
20mm	-	-	APM20	-	-	-	-
25mm	-	-	APM25	-	TWM25	-	-

### Mounting module lbs. kg.

Pendant	1.25	0.57
Cone pendant	4.00	1.81
Flexible pendant	1.50	0.68
Ceiling	2.75	1.25
Wall	4.50	2.04
Angled stanchion	3.50	1.59
Straight stanchion	4.50	2.04

### Mounting adapters

<b>CHMM1</b>	Mounting adapter for Appleton MercMaster III mounts
<b>CHMM2</b>	Mounting adapter for Appleton MercMaster II mounts
<b>CHMM3</b>	Mounting adapter for Thomas & Betts HazLux mounts
<b>CHMM4</b>	Mounting adapter for GE H2 Filtr-Gard mounts

### Mounting kits & hardware

<b>VMVL S812 K1</b>	Trunnion mount kit with pin*
<b>VMVL S812 K1 DBR</b>	PVC coated trunnion mount kit with pin*
<b>VMVL S831 K1</b>	Safety cable
<b>VMVL S890 K1</b>	Quick Clip

\*Available with ceiling mounted modules only.

### Lens guard

<b>P3002</b>	Wire guard
--------------	------------

### Replacement driver kits - UNV1\*

<b>VMVL-17L-UNV1-M2 DRIVER KIT</b>	UNV1 replacement driver kit for PVML-17 M2 fixtures
<b>VMVL-21-UNV1-M2 DRIVER KIT</b>	UNV1 replacement driver kit for PVML-21 M2 fixtures
<b>VMVL-25-UNV1-M2 DRIVER KIT</b>	UNV1 replacement driver kit for PVML-25 M2 fixtures

\*Replacement UNV1 driver kits are sold as single units.

### Replacement driver kits - UNV34\*

<b>VMVL-17L-UNV34-M2 DRIVER KIT</b>	UNV34 replacement driver kit for PVML-17 M2 fixtures
<b>VMVL-21-UNV34-M2 DRIVER KIT</b>	UNV34 replacement driver kit for PVML-21 M2 fixtures
<b>VMVL-25-UNV34-M2 DRIVER KIT</b>	UNV34 replacement driver kit for PVML-25 M2 fixtures

\*Replacement UNV34 driver kits are sold as single units.

### Photocells

<b>D2S20</b>	Photocell, 120V
<b>D2S208 277</b>	Photocell, 208-277V

### Occupancy sensors

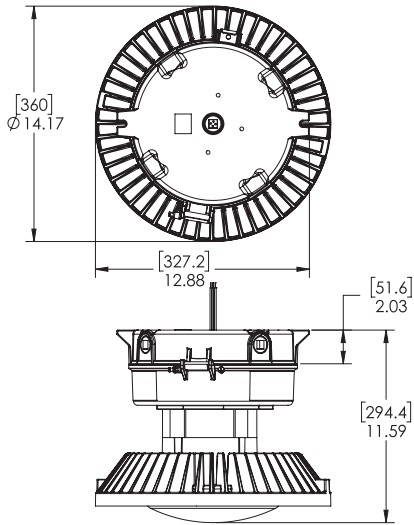
<b>ORDC/UNV1</b>	¾" NPT entry, 100-277 VAC
<b>347/480 K1</b>	Step down transformer for 347-480

### Occupancy sensor accessories

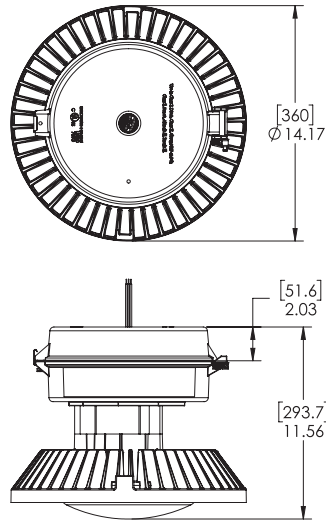
<b>CABLE KIT ORD 1</b>	TECK armoured cable (5ft) with TECK glands (¾")	<b>ORDC WKIT</b>	Wall mount kit
<b>CABLE KIT ORD 2</b>	P Type non-armoured cable (5ft) with ADE1F glands (¾")	<b>ORDC PKIT</b>	Pendant mount kit
<b>CABLE KIT ORD 3</b>	Metal-clad armoured cable (5ft) with TMC glands (¾")	<b>ORDC SKIT</b>	Stanchion mount kit
<b>CABLE KIT ORD 4</b>	SD cable (5ft) with ADE1F glands (¾")	<b>REMOTE CONTROL 1</b>	Remote control for programming sensor

# Dimensions

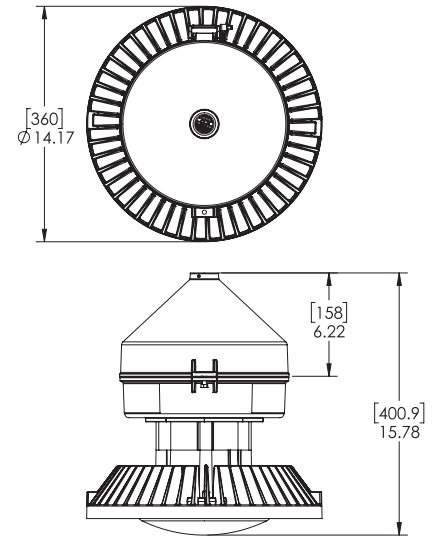
**Ceiling**



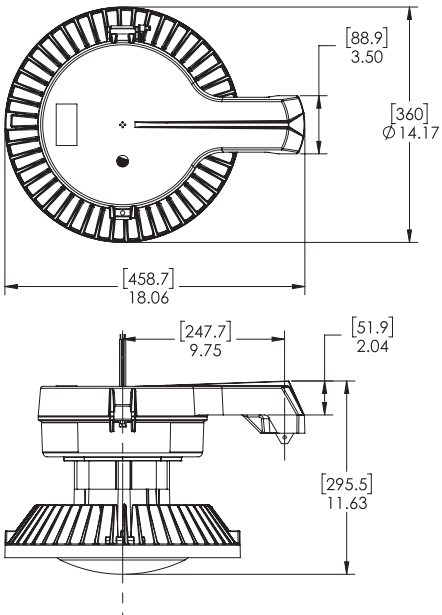
**Pendant**



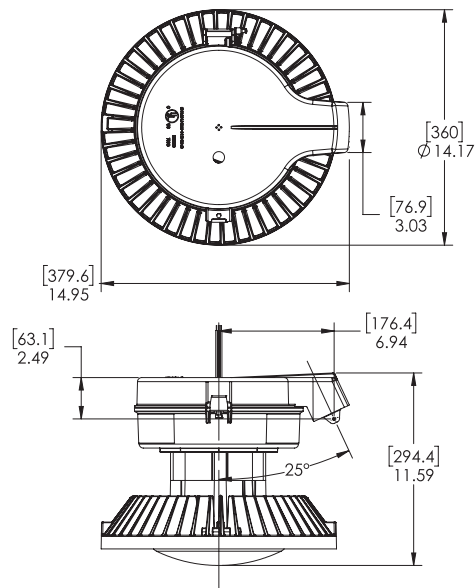
**Cone pendant**



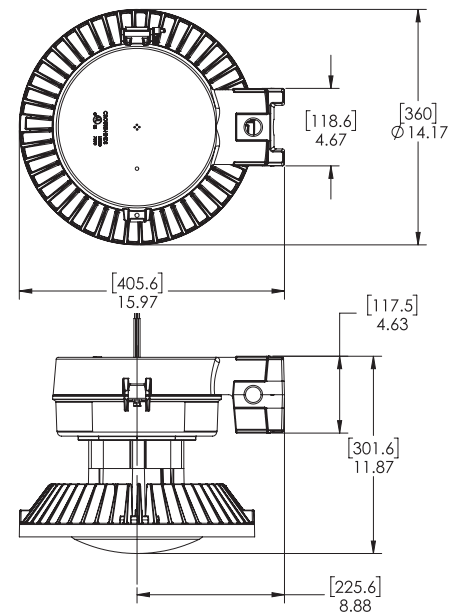
**Stanchion - straight**



**Stanchion - 25° angled**



**Wall**



**U.S. (global headquarters):  
Eaton's Crouse-Hinds business**

1201 Wolf Street  
Syracuse, NY 13208

(866) 764-5454  
FAX: (315) 477-5179  
FAX Orders Only:  
(866) 653-0640

[crousecustomerctr@eaton.com](mailto:crousecustomerctr@eaton.com)

**Eaton's B-Line business**

509 West Monroe Street  
Highland, IL 62249

800-851-7415  
FAX: 618-654-1917

[Eaton.com/b-lineseries](http://Eaton.com/b-lineseries)

**IEC Electrical**

(CEAG products)

49 (0) 6271 806-500  
FAX: 49 (0) 6271 806-476

[Info-ex@eaton.com](mailto:Info-ex@eaton.com)

**Airport Lighting**

866-764-5454

[CrouseCustomerCTR@Eaton.com](mailto:CrouseCustomerCTR@Eaton.com)

**Mexico/Latin America/Caribbean**

52-555-804-4000  
FAX: 52-555-804-4020

[ventascentromex@eaton.com](mailto:ventascentromex@eaton.com)

**Haz Area Communications**

(MEDC, Hernis, Oxalis, FHF Sonix)

44 (0) 1623 444400  
FAX: 44 (0) 1623 444531

[MEDCadmin@Eaton.com](mailto:MEDCadmin@Eaton.com)

**Canada**

Toll Free: 800-265-0502  
FAX: (800) 263-9504  
FAX Orders only: (866) 653-0645

**China**

86-21-2899-3600  
FAX: 86-21-2899-4055

[echsales@eaton.com](mailto:echsales@eaton.com)

**Process instrumentation**

(MTL products)

44 (0) 1582 723633  
FAX: 44 (0) 1582 422283

[enquiry@mtl-inst.com](mailto:enquiry@mtl-inst.com)

**Eaton Middle East**

9714-8066100  
FAX: 9714-8894813

[CHBL-ME@eaton.com](mailto:CHBL-ME@eaton.com)

**Australia**

61-2-8787-2777  
FAX: 61-2-9609-2342

[crousehindsanz@eaton.com](mailto:crousehindsanz@eaton.com)

**For more information:**

If further assistance is required, please contact an authorized Eaton Distributor, Sales Office, or Customer Service Department.

**Eaton**  
1000 Eaton Boulevard  
Cleveland, OH 44122  
United States  
[Eaton.com](http://Eaton.com)

© 2025 Eaton  
All Rights Reserved  
Printed in USA  
Publication No. BR403015EN  
April 2025

Eaton is a registered trademark.

All other trademarks are property of their respective owners.

Follow us on social media to get the latest product and support information.

