

**LED lighting**  
Champ-Pak® WPMV LED wall pack

**CROUSE-HINDS**  
SERIES

# Champ-Pak WPMV

## LED wall pack for heavy industrial



**Safe. Reliable. Efficient.**  
**3,000, 5,000 & 7,000 lumen models**

**EATON**

*Powering Business Worldwide*



## Champ-Pak WPMV wall packs

# Safe. Reliable. Efficient.

Featuring a broad range of LED luminaires for harsh industrial environments, Eaton's Crouse-Hinds delivers lighting solutions that perform reliably in even the worst operating conditions. This reduces energy, maintenance, and manpower costs.

### Why LED?

#### **Energy efficiency**

LED average energy consumption is significantly less than traditional fluorescent and HID fixtures

#### **Start/restart time**

Instant illumination vs. 10 minute restrike time for HID

#### **Light quality**

Higher color rendering compared to fluorescent and HID

#### **Environmental benefits**

Mercury-free LED eliminates disposal costs and lower energy consumption for a smaller carbon footprint

### Why Crouse-Hinds?

#### **Industry-best reliability**

Built to withstand a wide array of applications

#### **Thermal management**

Effective heat sinking ensures longer life

#### **Quality of light**

Custom optics designed to maximize light distribution and intensity

#### **Globally certified**

Designed to global specifications for IEC and NEC applications

#### **Serviceable drivers**

Easy access to drivers for service or replacement

# Design features

## Built to last:

- Type 4X rated
- Impact-resistant lens sealed from the outside environment provides ingress protection against water and dust
- 60,000+ hours of operation at 55°C
- 5 year fixture warranty†

† Refer to the authorized distributor price book for Crouse-Hinds standard Terms and Conditions.

## Simple installation and replacement:

- Contractor-friendly design is ideal for both retrofit and new construction
- Available with lever lock connectors



## High efficiency:

- Up to 116 lumens per watt

## Multiple lens options:

- Clear glass lens standard
- Optional lenses include:
  - Diffused glass
  - Clear polycarbonate
  - Diffused polycarbonate

## Additional options:

- Hub and yoke mounts
- Photocell



## Rugged design

- Engineered to perform in ambient temperatures from -40°C to +55°C
- Die cast aluminum LED housing provides efficient thermal path to heat sink assembly
- Vertical fin design facilitates air flow and dust shedding



## Why choose Champ-Pak LED wall packs?

**Reliable floodlights.** WPMV LED wall packs are engineered to deliver high lumen output and maintenance-free long life in the toughest conditions.

### WPMV7L vs. 150 watt HID



**70%**  
ENERGY  
EFFICIENCY



**65%**  
TOTAL COST  
OF OWNERSHIP



**100%**  
MAINTENANCE  
REDUCTION

Assumptions: Calculations based on overall life of the LED system. Energy cost of \$.09 per kilowatt; 24 hour per day operation; labor rate of \$75 each for 2 workers; average time for fixture maintenance of 1 hour.

# Champ-Pak WPMV LED wall pack



## Rugged wall pack solutions.

Eaton's Crouse-Hinds Champ-Pak WPMV LED wall packs are engineered to provide maintenance-free illumination, long life and high performance in extreme conditions.

The Champ WPMV LED is available from 3,000 to 7,000 lumens and is designed for harsh and heavy industrial applications.

### Available models:

Model number	Nominal lumens*	Watts	Efficacy	Equivalent MH luminaire
<b>WPMV3L</b>	3,400	30.6	111 Lm/W	70W
<b>WPMV5L</b>	5,200	44.8	116 Lm/W	100W
<b>WPMV7L</b>	6,800	58.9	115 Lm/W	150W-175W

\*Nominal lumens based on 5000K CCT with clear glass lens. Wattage measured at 120 VAC.

### Primary applications:

- Indoor and outdoor wall mounting or vertical surfaces where minimal depth is required.
- Heavy industrial, mine site processing areas, platforms, loading docks, tunnels, outdoor wall and areas requiring frequent on-and-off of lights
- Locations requiring continuous and consistent light levels in extreme ambient temperatures
- Where extremely corrosive, wet, dusty, hot and/or cold conditions exist
- Type 4X, marine, wet locations and hose-down environments

### Certifications & compliances:

- NEC and CEC
  - UL Standards: UL1598, UL1598A, UL8750
  - CSA Standard: C22.2 No. 250
- Marine and Wet Locations, NEMA 4X and IP66



### Electrical ratings:

Model number	120V		277V		347V		480V	
	Input power	Input amps	Input power	Input amps	Input power	Input amps	Input power	Input amps
<b>WPMV3L</b>	30.6	0.26	30.6	0.11	29.9	0.09	30.3	0.07
<b>WPMV5L</b>	44.8	0.37	43.9	0.16	43.3	0.13	43.7	0.09
<b>WPMV7L</b>	58.9	0.50	57.8	0.23	56.0	0.16	56.2	0.12

#### All models

<b>Voltage range, VAC</b>	120-277V at 50/60 Hz, 347-480V at 60 Hz
<b>Voltage range, VDC</b>	125, 250VDC
<b>Power factor</b>	≥0.90
<b>Surge</b>	6kV standard
<b>THD</b>	≤ 20%



Champ-Pak WPMV wall packs are designed, tested and certified for extreme environments

# Ordering information

## Part number example

### WPMV3LWY-UNV1-S891 PC1

Champ-Pack WPMV LED wall pack, NEC/CEC rated, 3,400 lumens, 3000K warm white, yoke mount, 120-277 VAC, diffused glass window, 120V photocell

## WPMV 3L W Y - UNV1 - S891 PC1

### Light source/intensity

<b>3L</b>	3,400 nominal lumens
<b>5L</b>	5,200 nominal lumens
<b>7L</b>	6,800 nominal lumens

### Color temperature

<b>BLANK</b>	Cool (5000K)
<b>N*</b>	Neutral (4000K)
<b>W</b>	Warm (3000K)

\*Consult factory for availability.

### Optics

<b>BLANK</b>	standard
--------------	----------

### Mounting

<b>BLANK</b>	Wall
<b>H</b>	Hub
<b>Y</b>	Yoke

### Voltage

<b>-UNV1</b>	120-277 VAC, 50/60 Hz; 125, 250VDC
<b>-UNV34</b>	347-480 VAC, 50/60 Hz

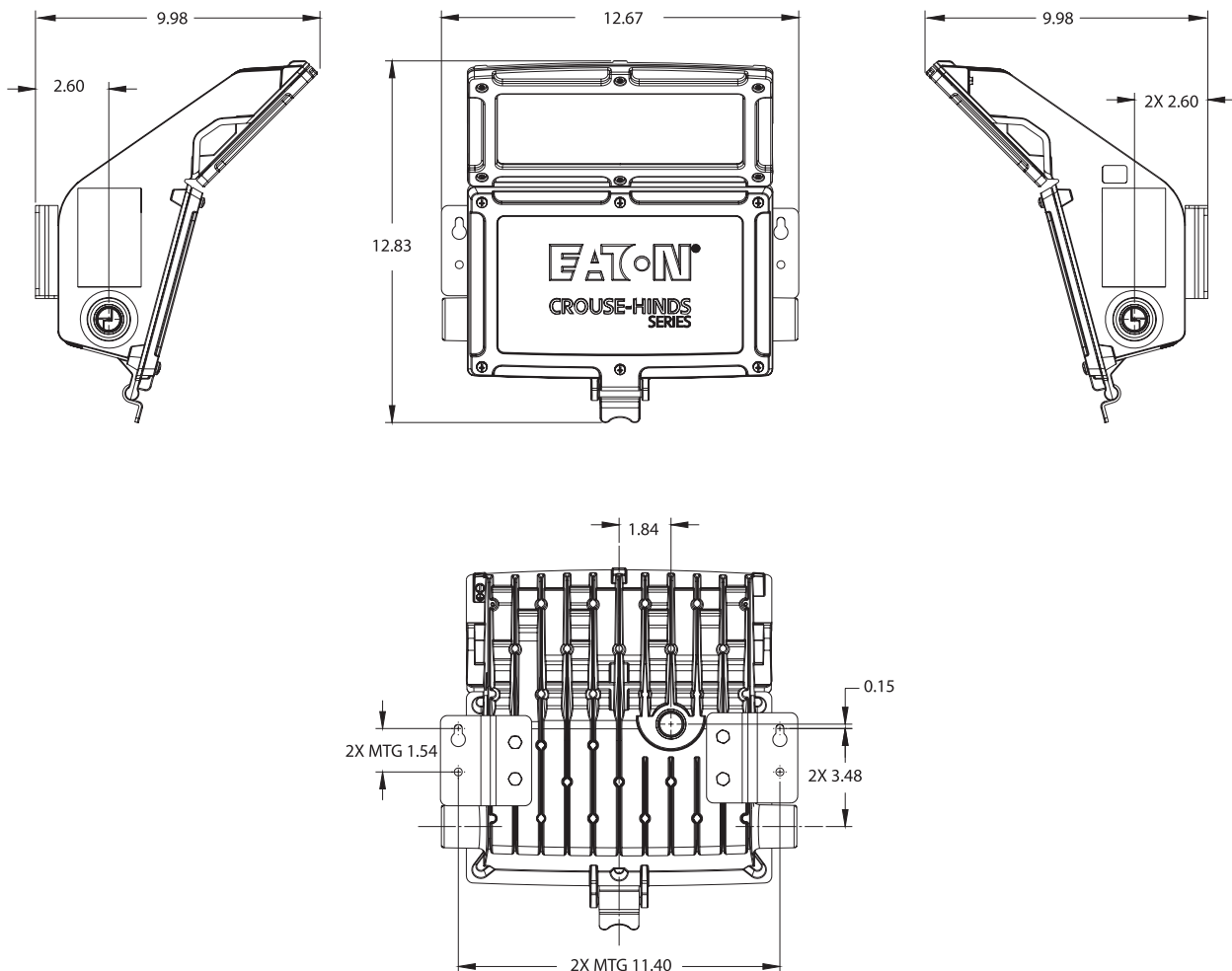
### Window material

<b>BLANK</b>	Clear glass
<b>S891</b>	Diffused glass
<b>S903</b>	Clear polycarbonate
<b>S903D</b>	Diffused polycarbonate

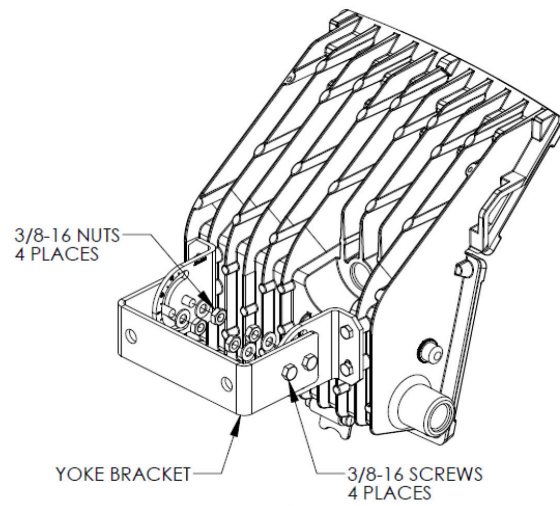
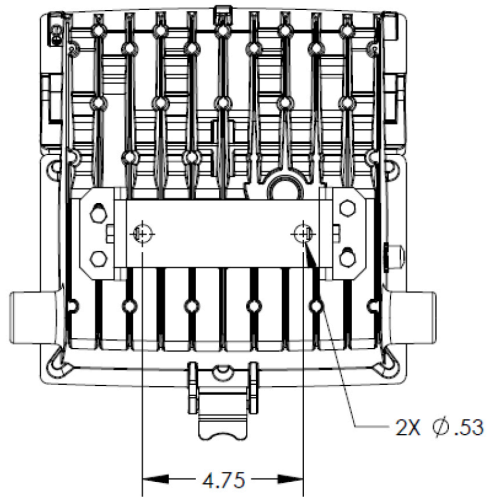
### Photocell

<b>PC1</b>	120V
<b>PC2</b>	208-277V

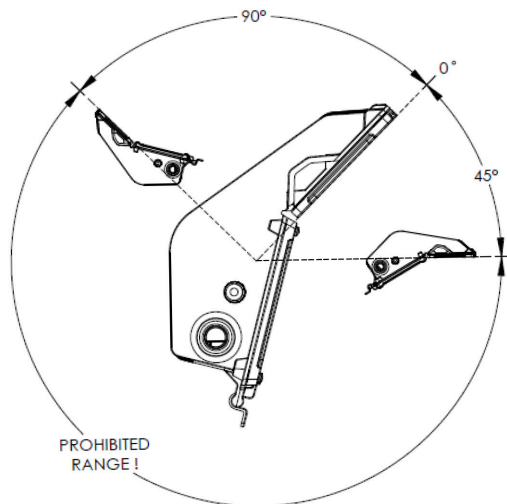
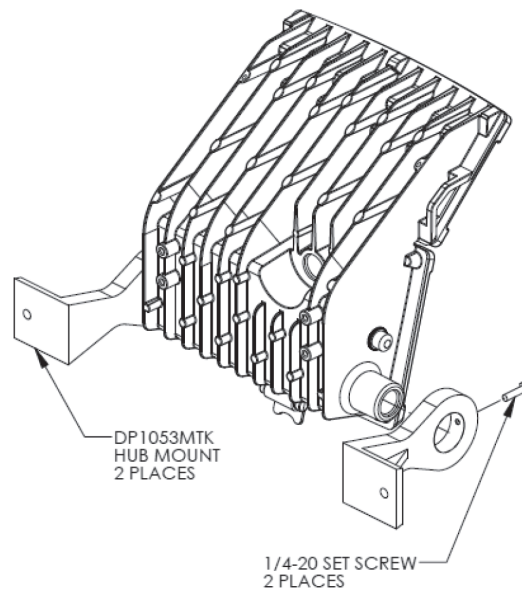
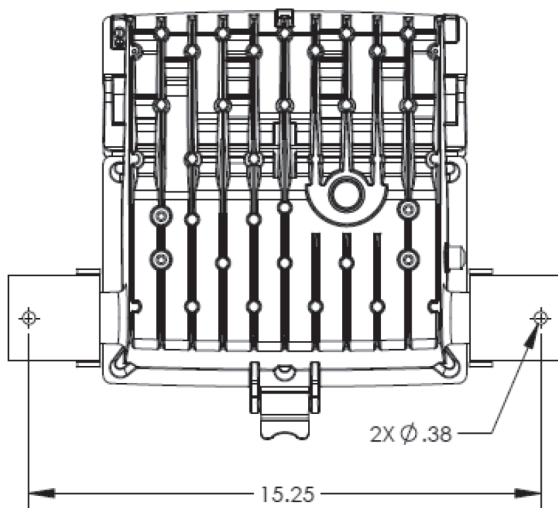
## Dimensions



## Dimensions: Yoke mount



## Dimensions: Hub mount



Mounting method	Angle range	Mounting surface
Wall (standard)	Fixed	Wall
Yoke	+45° to -90°	Wall, Ceiling, Horizontal Surface/Ground
Hub (DP1053MTK)	+45° to -90°	Wall, Ceiling, Horizontal Surface/Ground

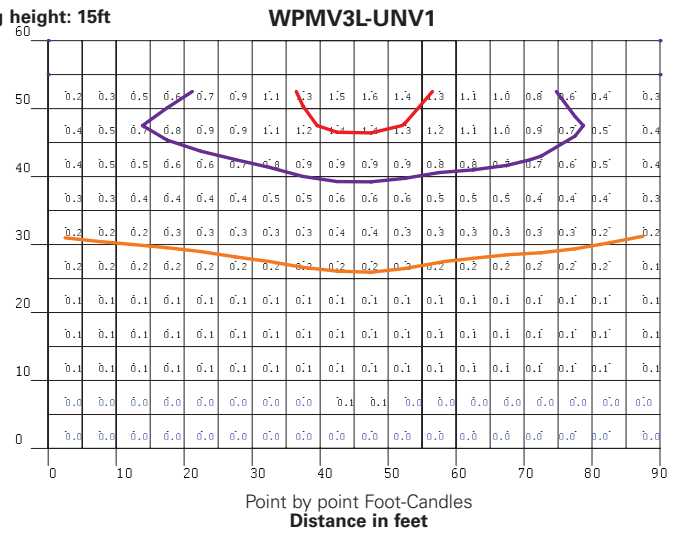
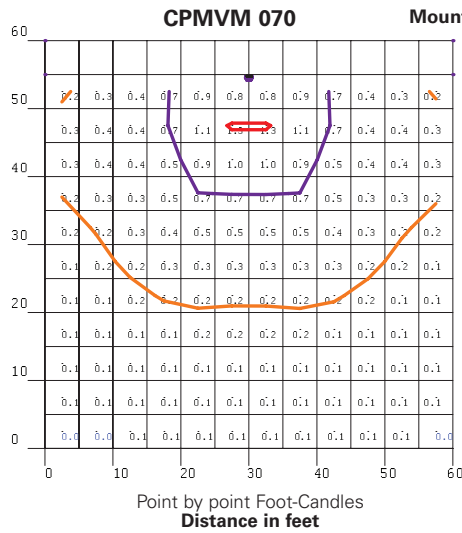
# Photometrics

## WPMV3L-UNV1

Illuminance (Fc)	
<b>Average</b>	0.3
<b>Min.</b>	0.0
<b>Max.</b>	1.6

## CPMVM 070

Illuminance (Fc)	
<b>Average</b>	0.3
<b>Min.</b>	0.0
<b>Max.</b>	1.3

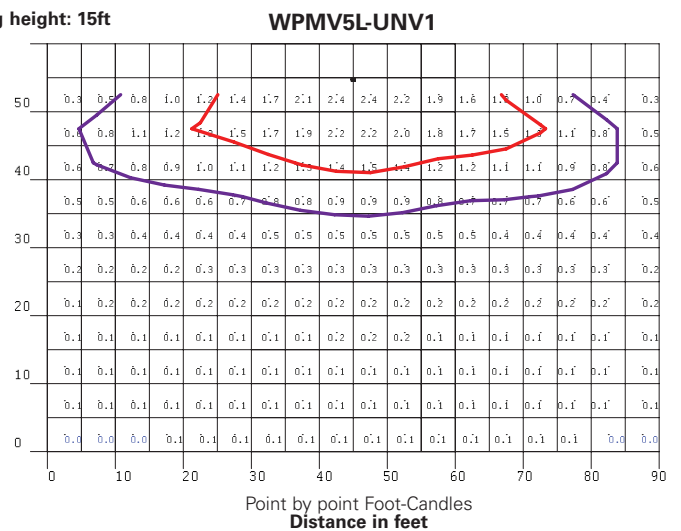
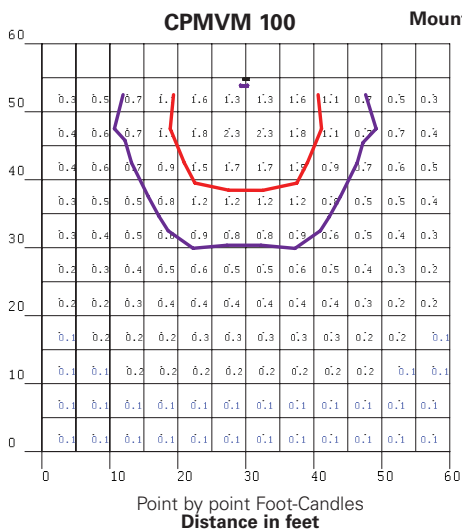


## WPMV5L-UNV1

Illuminance (Fc)	
<b>Average</b>	0.5
<b>Min.</b>	0.0
<b>Max.</b>	2.4

## CPMVM 100

Illuminance (Fc)	
<b>Average</b>	0.5
<b>Min.</b>	0.1
<b>Max.</b>	2.3

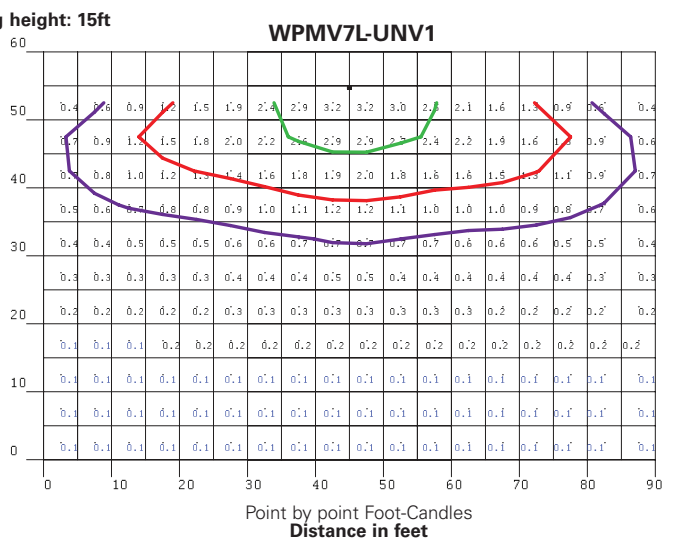
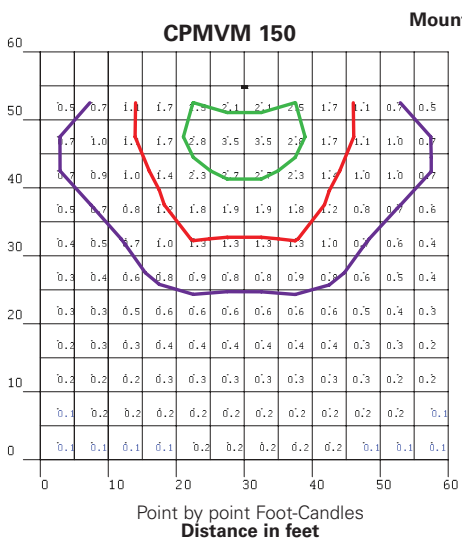


## WPMV7L-UNV1

Illuminance (Fc)	
<b>Average</b>	0.7
<b>Min.</b>	0.1
<b>Max.</b>	3.2

## CPMVM 150

Illuminance (Fc)	
<b>Average</b>	0.8
<b>Min.</b>	0.1
<b>Max.</b>	1.5



**U.S. (global headquarters):  
Eaton's Crouse-Hinds business**

1201 Wolf Street  
Syracuse, NY 13208

(866) 764-5454  
FAX: (315) 477-5179  
FAX Orders Only:  
(866) 653-0640

[crousecustomerctr@eaton.com](mailto:crousecustomerctr@eaton.com)

**Eaton's B-Line business**

509 West Monroe Street  
Highland, IL 62249

800-851-7415  
FAX: 618-654-1917

[Eaton.com/b-lineseries](http://Eaton.com/b-lineseries)

**IEC Electrical**  
(CEAG products)

49 (0) 6271 806-500  
FAX: 49 (0) 6271 806-476

[Info-ex@eaton.com](mailto:Info-ex@eaton.com)

**Airport Lighting**

866-764-5454

[CrouseCustomerCTR@Eaton.com](mailto:CrouseCustomerCTR@Eaton.com)

**Mexico/Latin America/Caribbean**

52-555-804-4000  
FAX: 52-555-804-4020

[ventascentromex@eaton.com](mailto:ventascentromex@eaton.com)

**Haz Area Communications**  
(MEDC, Hernis, Oxalis, FHF Sonix)

44 (0) 1623 444400  
FAX: 44 (0) 1623 444531

[MEDCadmin@Eaton.com](mailto:MEDCadmin@Eaton.com)

**Canada**

Toll Free: 800-265-0502  
FAX: (800) 263-9504  
FAX Orders only: (866) 653-0645

**China**

86-21-2899-3600  
FAX: 86-21-2899-4055

[echsales@eaton.com](mailto:echsales@eaton.com)

**Process instrumentation**  
(MTL products)

44 (0) 1582 723633  
FAX: 44 (0) 1582 422283

[enquiry@mtl-inst.com](mailto:enquiry@mtl-inst.com)

**Eaton Middle East**

9714-8066100  
FAX: 9714-8894813

[CHBLME@eaton.com](mailto:CHBLME@eaton.com)

**Australia**

61-2-8787-2777  
FAX: 61-2-9609-2342

[crousehindsanz@eaton.com](mailto:crousehindsanz@eaton.com)

**For more information:**

If further assistance is required, please contact an authorized Eaton Distributor, Sales Office, or Customer Service Department.

**Eaton**  
1000 Eaton Boulevard  
Cleveland, OH 44122  
United States  
[Eaton.com](http://Eaton.com)

© 2023 Eaton  
All Rights Reserved  
Printed in USA  
Publication No. 5430-0923  
September 2023

Eaton is a registered trademark.

All other trademarks are property of their respective owners.

Follow us on social media to get the latest product and support information.

