

# HRL recessed LED linear fixtures

## Rugged solutions for complex environments

Eaton's Crouse-Hinds series HRL recessed LED linear fixtures are engineered to provide maintenance-free illumination in the most demanding environments, along with a competitive payback vs. fluorescent fixtures.

Available in three common sizes, the HRL is certified for use in Zones 1, 21, 2, and 22 hazardous areas, as well as Class I, Division 2 locations. Manufactured in galvanized steel or stainless steel for additional corrosion protection, HRL fixtures combine state-of-the-art LED technology with optimized thermal management to extend service life in extreme environments.

## Primary applications

- Locations requiring continuous and consistent light levels in extreme ambient temperatures
- Areas requiring frequent on-and-off of lights
- Where flammable vapors, gases, ignitable dusts, fibers or flying's are present
- Where corrosive, wet, dusty, hot and/or cold conditions exist
- Marine, wet locations and hose-down environments
- Manufacturing plants, chemical or pharmaceutical facilities, platforms
- Optionally with DALI for controlling and monitoring the luminaire
- DALI 2 optional

## Design features

### Enhance safety and productivity

- Instant illumination and restrike
- T6 temperature rating to safely operate in the most hazardous environments

### Reliable performance in any environment

- Outstanding water and dust proof performance (IP66)
- B0 & B15 fire rate

### Reliable operation and low quality risks

- T6 rating @ 55°C ambient for standard 100-240VAC fixtures
- 108-250VDC input provision for emergency systems, cranes, etc.
- 25% lumen output in emergency operation for the whole lighting

### Easy installation

- Quick & easy maintenance- Easy access to drivers and wiring
- Easy installation – Recessed mounting with T-Bar.

## Electrical ratings

Model	HRL3060	HRL3012	HRL6060	HRL3060 EM	HRL3012 EM	HRL6060 EM
<b>Voltage, VAC</b>	100-240 VAC, 50/60HZ					
<b>Voltage, VDC</b>	108V-250VDC					
<b>Power consumption</b>	26W	52W	52W	30W	60W	60W
<b>Inrush current peak</b>	15A	15A	15A	15A	15A	15A
<b>Inrush current time</b>	0.2ms	0.2ms	0.2ms	0.2ms	0.2ms	0.2ms
<b>Power factor cos <math>\psi</math> @ 230 V</b>	0.95	0.95	0.95	0.95	0.95	0.95
<b>Protection class</b>	IP66					
<b>ISurge voltages</b>	4Kv					
<b>THD @230V</b>	< 10%					

\* Tolerance +/- 10%



Available with self-contained emergency battery backup!

Model number	Nominal lumens†	Watts	Efficacy	Equivalent fluorescent
<b>HRL3060</b>	2900	26W	112 Lm/w	2x18W
<b>HRL3012</b>	5800	52W	112 Lm/w	2x36W
<b>HRL6060</b>	6000	52W	115 Lm/w	4x18W

† Lumen values apply to 5700K light colour, 70 CRI fixtures. Lumen output may vary slightly for different models.

## Certifications and compliances

### IECEx / ATEX Standards:

- Ex e mb IIC T6 Gb, Ex tb IIIC T80°C Db
- Ex d e mb IIC T6 Gb, Ex tb IIIC T80°C Db(for switch version)

### Permissible ambient temperature

- -40°C to 55°C (standard fixture), -25°C to 55°C (emergency model)

### Degree of protection accd. to EN 60529

- IP66
- Rated life of 5 years at 55 °C provides long term, low-maintenance operation

## Standard materials

- Enclosure - steel with white paint finish; Stainless steel as optional
- Lens - Translucent PC
- External hardware - Stainless steel

## LED system

- Light colour: Standard version is 5700K, 3000K, 4000K and 5000K for optional
- Cool white>70, warm white>80

# HRL recessed LED linear fixtures

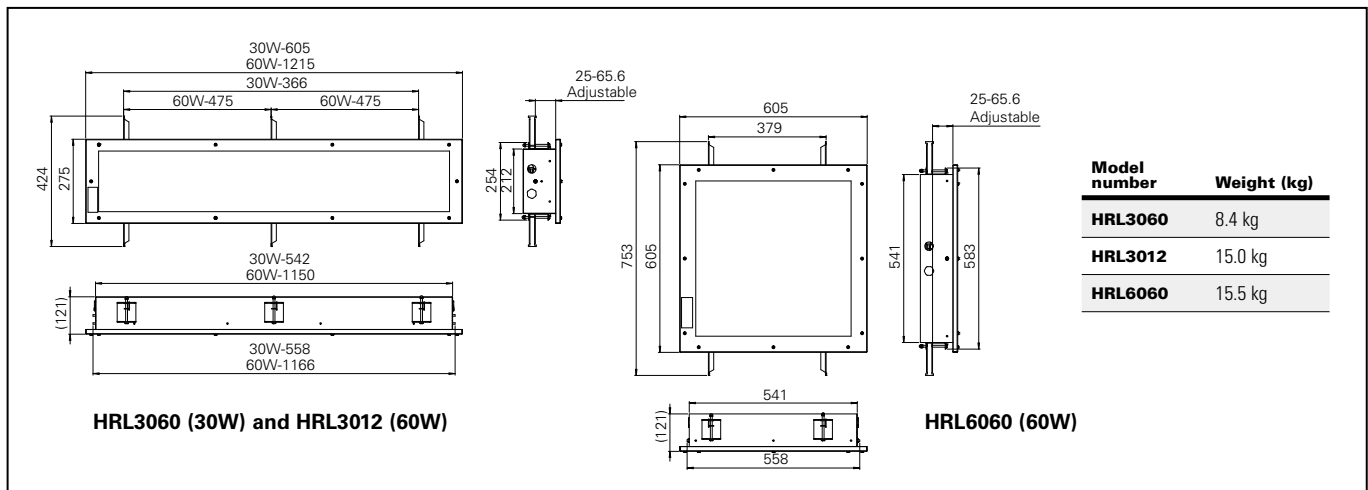
## Ordering Information

HRL Model	Part Number	Power	Lumen	CCT	Gland	Through Wiring	Battery	Duration	Light Output in Emergency
<b>600 x 600 fixture</b>									
HRL/6060/00/60W/57/2-220	CCL1714885	52W	6000lm	5700K	M20	Yes	No	--	--
HRL/6060/00/60W/57/1-220	CCL1714877	52W	6000lm	5700K	M20	No	No	--	--
HRL/6060/00/60W/57/EM2/2-220	CCL1714949	60W	6000lm	5700K	M20	Yes	Yes	1,5h	25%
HRL/6060/00/60W/57/EM2/1-220	CCL1714941	60W	6000lm	5700K	M20	No	Yes	1,5h	25%
<b>300 x 600 fixture</b>									
HRL/3060/00/30W/57/2-220	CCL1714055	26W	2900lm	5700K	M20	Yes	No	--	--
HRL/3060/00/30W/57/1-220	CCL1714559	26W	2900lm	5700K	M20	No	No	--	--
HRL/3060/00/30W/57/EM2/2-220	CCL1714119	30W	2900lm	5700K	M20	Yes	Yes	1,5h	25%
HRL/3060/00/30W/57/EM2/1-220	CCL1714111	30W	2900lm	5700K	M20	No	Yes	1,5h	25%
<b>300 x 1200 fixture</b>									
HRL/3012/00/60W/57/2-220	CCL1714439	52W	5800lm	5700K	M20	Yes	No	--	--
HRL/3012/00/60W/57/1-220	CCL1714431	52W	5800lm	5700K	M20	No	No	--	--
HRL/3012/00/60W/57/EM2/2-220	CCL1714503	60W	5800lm	5700K	M20	Yes	Yes	1,5h	25%
HRL/3012/00/60W/57/EM2/1-220	CCL1714495	60W	5800lm	5700K	M20	No	Yes	1,5h	25%

\* Tolerance +/- 10%

\* Additional configurations are available upon request, please contact your local sales representative.

## Dimensions & weights



## Polar curves

